



## PARALINE CS SERIES

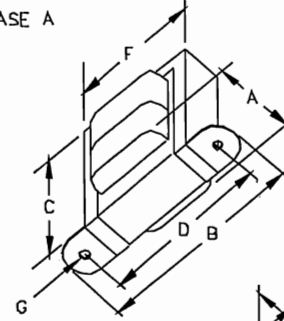
THE PARALINE CS SERIES TRANSFORMERS WITH STANDARD 120V (47-63 Hz) PRIMARIES ARE AVAILABLE WITH SINGLE PRIMARY AND DUAL SECONDARIES. CASE C USES A 6 PIN PRINTED CIRCUIT CONFIGURATION.

AVAILABLE TOTAL SERIES VOLTAGES AND CURRENT RATINGS OF SECONDARIES

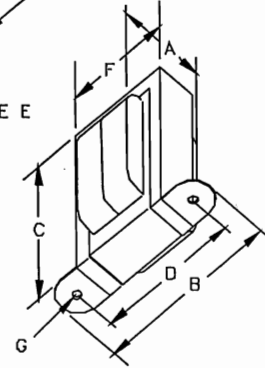
VOLTS (SERIES)	AMPERES							
	SIZE 3	SIZE 4	SIZE 5	SIZE 6	SIZE 7	SIZE 8	SIZE 9	
4	.100	.50	1.2	2.4	4.8	9.6	14	
6.3	.065	.32	.75	1.5	3.0	6.0	9	
8	.050	.28	.60	1.2	2.4	4.8	7	
10	.045	.20	.48	.96	1.9	3.8	5.6	
12.6	.038	.17	.38	.76	1.5	3.0	4.5	
14	.033	.16	.34	.68	1.35	2.7	4.0	
16	.030	.13	.30	.60	1.20	2.4	3.7	
18	.026	.12	.26	.52	1.05	2.1	3.5	
20	.024	.11	.24	.48	.96	1.9	3.2	
22	.021	.10	.22	.44	.88	1.75	3.0	
24	.019	.095	.20	.40	.80	1.60	2.7	
26	.018	.090	.18	.36	.72	1.45	2.5	
28	.016	.080	.17	.34	.68	1.35	2.2	
30	.015	.070	.16	.32	.64	1.28	2.0	
32	.014	.065	.15	.30	.60	1.20	1.9	
34	.013	.060	.14	.28	.56	1.10	1.8	
36	.012	.055	.13	.26	.52	1.05	1.7	
40	.011	.050	.12	.24	.48	.96	1.6	
44	.010	.050	.11	.22	.44	.88	1.5	
48	.009	.045	.10	.20	.40	.80	1.3	
52	.009	.040	.09	.18	.36	.72	1.2	
56	.008	.040	.08	.16	.32	.64	1.1	
60	.007	.035	.08	.15	.30	.60	1.0	
66	.007	.030	.07	.14	.28	.56	.90	
72	.006	.027	.065	.13	.26	.52	.85	
80	.005	.025	.060	.12	.24	.48	.80	
88	.005	.024	.055	.11	.22	.44	.70	
96	.004	.022	.050	.10	.20	.40	.65	
104	.004	.020	.045	.09	.18	.36	.60	
120	.004	.017	.040	.08	.16	.32	.50	
140	.004	.014	.035	.07	.14	.28	.40	
160	.004	.012	.030	.06	.12	.24	.35	
180	.004	.011	.025	.05	.10	.20	.30	
200	.004	.010	.023	.046	.09	.18	.28	
220	.004	.010	.022	.044	.09	.17	.26	
240	.004	.009	.020	.040	.08	.16	.24	

Case A Available in sizes 6, 7, 8 & 9 (Lead Wires, Horizontal)  
Case C Available in sizes 3, 4, 5, 6 & 7 (6 Pin Printed Circuit)  
Case E Available in sizes 6, 7, 8 & 9 (Lead Wires, Vertical)

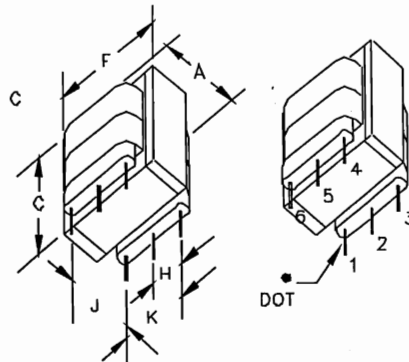
CASE A



CASE E



CASE C



## CS SERIES DIMENSIONAL DATA

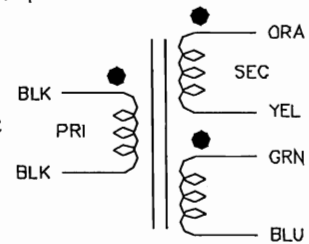
CASE	SIZE	A	B	C	D	F	G	H TYP	JxK
A	6	1.46	2.83	1.65	2.38	1.97	.187		
A	7	1.75	3.27	1.96	2.83	2.33	.187		
A	8	2.05	3.71	2.28	3.13	2.71	.187		
A	9	2.35	4.00	2.61	3.63	3.08	.187		
C	3	0.93		0.88		1.05		.20	.78x.40
C	4	1.15		1.19		1.39		.32	1.0x.63
C	5	1.27		1.38		1.63		.40	1.1x.80
C	6	1.44		1.63		1.89		.40	1.3x.80
C	7	2.34		1.40		1.63		.40	2.1x.80
E	6	1.46	2.38	1.96	2.00	1.65	.187		
E	7	1.75	2.93	2.35	2.38	1.98	.187		
E	8	2.05	3.15	2.72	2.83	2.75	.187		
E	9	2.35	3.60	3.10	3.18	2.58	.187		

REFER TO CS SERIES TRANSFORMERS BY PART NUMBERS.

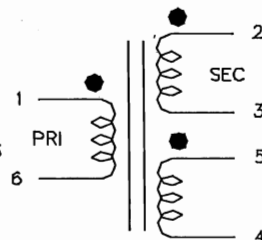
SAMPLE:  $\overbrace{\text{CSC}}^{\text{SERIES}} \text{ } \overbrace{4-6.3}^{\text{TOTAL SERIES VOLTS}}$   
 $\underbrace{\text{CSC}}_{\text{CASE}} \text{ } \underbrace{4-6.3}_{\text{SIZE}}$

Class B [130 deg C]

SCHEMATIC FOR WIRES



SCHEMATIC FOR PC PINS



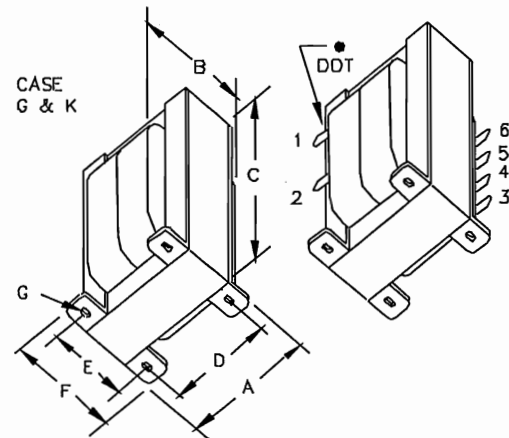
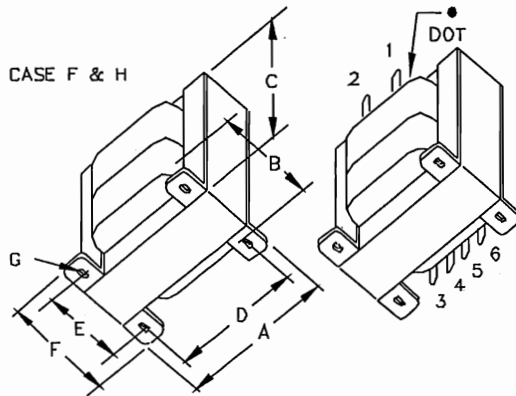


PARALINE CS SERIES CONTINUED

ALL CS SERIES TRANSFORMERS (EXCEPT SIZE 3) ARE ALSO AVAILABLE WITH 240V 47-63 Hz PRIMARIES.

AVAILABLE TOTAL SERIES VOLTAGES AND CURRENT RATINGS OF SECONDARIES

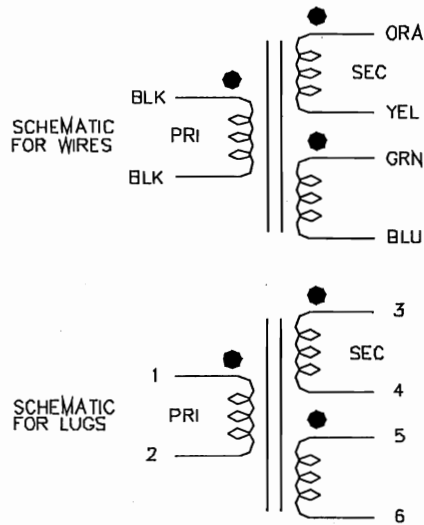
VOLTS (SERIES)	AMPERES				
	SIZE 10	SIZE 11	SIZE 12	SIZE 13	SIZE 14
8	12	17	24	30	50
10	9.5	14	20	24	40
12.6	7.5	11	16	19	32
14	7.0	10	14	17	28
16	6.0	8.7	12	15	25
18	5.3	7.7	11	13	22
20	4.8	7.0	10	12	20
22	4.4	6.3	9.0	11	18
24	4.0	5.8	8.3	10	17
26	3.7	5.4	7.8	9.2	15
28	3.4	5.0	7.1	8.5	14
30	3.2	4.6	6.6	8.0	13
32	3.0	4.3	6.2	7.5	12
34	2.8	4.1	5.8	7.0	11.6
36	2.6	3.8	5.5	6.6	10.9
40	2.4	3.5	5.0	6.0	10.0
44	2.2	3.1	4.5	5.4	9.0
48	2.0	2.9	4.1	5.0	8.3
52	1.8	2.7	3.8	4.6	7.6
56	1.7	2.5	3.5	4.2	7.0
60	1.6	2.3	3.3	4.0	6.7
66	1.45	2.1	3.0	3.6	6.0
72	1.33	1.9	2.7	3.3	5.5
80	1.20	1.7	2.5	3.0	5.0
88	1.10	1.6	2.2	2.7	4.5
96	1.00	1.4	2.0	2.5	4.2
104	.92	1.3	1.9	2.3	3.8
120	.80	1.1	1.6	2.0	3.3
140	.68	1.0	1.4	1.7	2.8
160	.60	.87	1.2	1.5	2.5
180	.53	.77	1.1	1.3	2.2
200	.48	.70	1.0	1.2	2.0
220	.43	.63	.90	1.1	1.8
240	.40	.58	.83	1.0	1.6



Case F Available in sizes 10, 11, 12, 13 & 14 (Lead Wires, Horizontal)  
 Case G Available in sizes 10, 11, 12, 13 & 14 (Lugs, Vertical)  
 Case H Available in sizes 10, 11, 12, 13 & 14 (Lugs, Horizontal)  
 Case K Available in sizes 10, 11, 12, 13 & 14 (Lead Wires, Vertical)

CS SERIES DIMENSIONAL DATA

CASE	SIZE	A	B	C	D	E	F	G
F	10	3.38	2.50	2.81	2.81	2.13	2.69	.2x.37
F	11	3.75	2.80	3.13	3.13	2.25	2.81	.2x.37
F	12	4.13	3.00	3.44	3.44	2.38	2.94	.2x.37
F	13	4.50	3.30	3.75	3.75	2.50	3.15	.2x.37
F	14	4.50	4.40	3.75	3.75	3.50	4.15	.2x.37
G	10	2.81	2.50	3.38	2.25	2.13	2.69	.2x.37
G	11	3.13	2.80	3.75	2.50	2.25	2.81	.2x.37
G	12	3.44	3.00	4.13	2.75	2.38	2.94	.2x.37
G	13	3.75	3.30	4.50	3.00	2.50	3.15	.2x.37
G	14	3.75	4.40	4.50	3.00	3.50	4.15	.2x.37
H	10	3.38	2.50	2.81	2.81	2.13	2.69	.2x.37
H	11	3.75	2.80	3.13	3.13	2.25	2.81	.2x.37
H	12	4.13	3.00	3.44	3.44	2.38	2.94	.2x.37
H	13	4.50	3.30	3.75	3.75	2.50	3.15	.2x.37
H	14	4.50	4.40	3.75	3.75	3.50	4.15	.2x.37
K	10	2.81	2.50	3.38	2.25	2.13	2.69	.2x.37
K	11	3.13	2.80	3.75	2.50	2.25	2.81	.2x.37
K	12	3.44	3.00	4.13	2.75	2.38	2.94	.2x.37
K	13	3.75	3.30	4.50	3.00	2.50	3.15	.2x.37
K	14	3.75	4.40	4.50	3.00	3.50	4.15	.2x.37



REFER TO CS SERIES TRANSFORMERS BY PART NUMBERS.  
 SAMPLE: CSH 11 - 12.6  
 SERIES ——— TOTAL SERIES VOLTS  
 CASE ——— SIZE

Class B [130 deg C]