



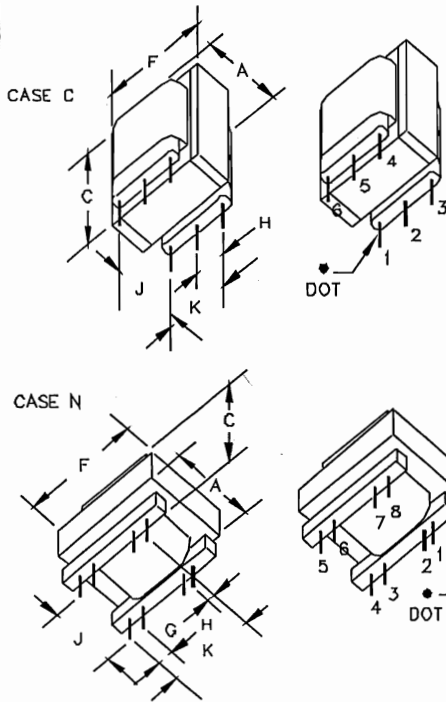
RoHS

PARALINE
PARALINE
TRANSFORMER SPECIALISTS

PARALINE TT SERIES

TRANSFORMERS FOR DATA MODEM TERMINALS
DESIGNED TO EXCEED 1200 VAC BREAKDOWN
REQUIREMENTS.

FREQUENCY RESPONSE: 300-3500 Hz +/- 0.5 DB
LEVEL: -45 DBM TO + 7 DBM
DISTORTION: 0.4% MAX.
IMPEDANCE: +/- 10%
RETURN LOSS: 26 DB MIN.



PART NUMBER	PRI. IMP.	SEC. IMP.	FIG.
TTC2-07	600	600	1
TTC3-6549	600	600	1
TTC3-7222	600	600 / 900	2
TTC4-7226	600	600	1
TTC4-7657	600	600 / 900	2
TTC4-18	Holding Coil 1.3 Hy. @ 100 MA. DC.		6
TTC4-4092	600	150 + 150	5
TTC4-4197	600	600 + 600	5

Case C Available in sizes 2, 3 & 4 (6 Pin Printed Circuit)
Case N Available in size 4 (8 Pin Printed Circuit)

WIDE RANGE AUDIO MATCHING TRANSFORMERS

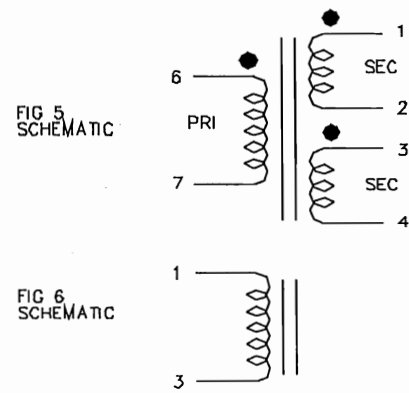
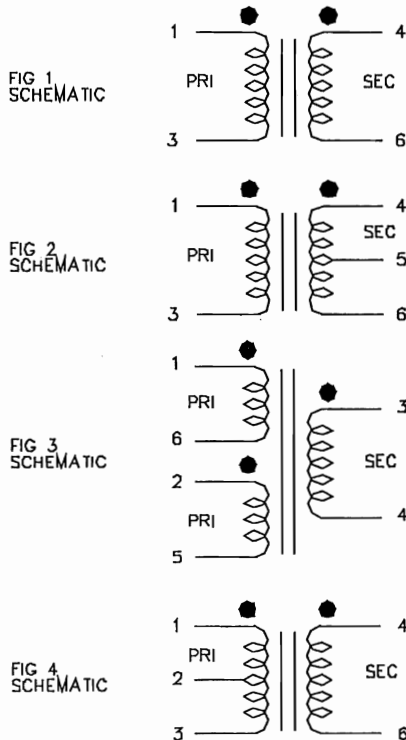
FREQUENCY RESPONSE: 20-20000 Hz +/- 2 DB
LEVEL: 5 DBM

PART NUMBER	PRI. IMP.	SEC. IMP.	FIG.
TTC2-8746	400/CT	40K	4
TTC2-8750	200	40K	1
TTC2-8758	200/CT/50	50K	3
TTC2-8761	600/CT/150	50K	3
TTC2-8762	250/CT/62	50K	3
TTC2-8763	50/CT/12	50K	3
TTC2-8772	150	60K	1

Case C Available in size 2 (6 Pin Printed Circuit)

TT SERIES DIMENSIONAL DATA

CASE	SIZE	A	C	F	G OFFSET	H TYP	JxK
C	2	.59	.72	.78		.20	.45x.40
C	3	.93	.88	1.05		.20	.78x.40
C	4	1.15	1.19	1.39		.32	1.0x.63
N	4	1.40	.66	1.66	.05	.25	1.0x1.25



REFER TO TT SERIES TRANSFORMERS BY PART NUMBERS.
SAMPLE: TTC 2 - 8746
SERIES CASE SIZE DASH NUMBER

Class B [130 deg C]