



PARALINE WC & WCM SERIES

THE PARALINE WC SERIES, CASE L TRANSFORMERS ARE DUAL PRIMARY 120/240 VOLT (47-63 Hz) PRINTED CIRCUIT TRANSFORMERS DESIGNED TO CONFORM TO GLOBAL MARKET REQUIREMENTS.

CASE L
SIZES 6, 7.5 & 8.5



AVAILABLE TOTAL SERIES VOLTAGES AND CURRENT RATINGS OF SECONDARIES

VOLTS (SERIES)	AMPERES					
	SIZE 4	SIZE 5	SIZE 5.5	SIZE 6	SIZE 7.5	SIZE 8.5
4	.60	1.2	2.4	4.8	7.0	13
6.3	.38	.76	1.5	3.0	4.4	8.4
8	.30	.60	1.2	2.4	3.5	6.6
10	.24	.48	.96	1.9	2.8	5.3
12.6	.19	.38	.76	1.5	2.2	4.2
14	.17	.34	.68	1.3	2.0	3.8
16	.15	.30	.60	1.2	1.7	3.3
18	.13	.26	.50	1.0	1.5	2.9
20	.12	.24	.48	.96	1.4	2.6
22	.11	.22	.44	.88	1.3	2.4
24	.10	.20	.40	.80	1.2	2.2
26	.09	.18	.36	.72	1.1	2.0
28	.08	.17	.34	.68	1.0	1.9
30	.08	.16	.32	.64	.93	1.8
32	.07	.15	.30	.60	.88	1.7
34	.07	.14	.28	.56	.82	1.6
36	.065	.13	.26	.52	.78	1.5
40	.060	.12	.24	.48	.70	1.3
44	.054	.11	.22	.44	.63	1.2
48	.050	.10	.20	.40	.58	1.1
52	.046	.09	.18	.36	.54	1.0
56	.043	.08	.17	.34	.50	.95
60	.040	.08	.16	.32	.46	.88
66	.036	.07	.14	.29	.42	.80
72	.033	.066	.13	.27	.39	.75
80	.030	.060	.12	.24	.35	.66
88	.027	.054	.11	.22	.32	.60
96	.025	.050	.10	.20	.29	.55
104	.023	.046	.09	.18	.27	.51
120	.020	.040	.08	.16	.23	.44
140	.017	.034	.07	.14	.20	.37
160	.015	.030	.06	.12	.17	.33
180	.013	.027	.05	.10	.15	.29
200	.012	.024	.048	.09	.14	.26
220	.010	.022	.043	.09	.13	.24
240	.010	.020	.040	.08	.12	.22

Case L Available in sizes 4, 5 & 5.5 (8 Pin Printed Circuit)
Case L Available in sizes 6, 7.5 & 8.5 (12 Pin Printed Circuit)

THE PARALINE WCM SERIES, CASE L TRANSFORMERS ARE PRINTED CIRCUIT MICROPROCESSOR POWER TRANSFORMERS DESIGNED TO CONFORM TO GLOBAL MARKET REQUIREMENTS.

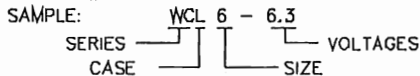
PART NUMBER	SEC. #1 V/CT	AMPS	SEC. #2 V/CT	AMPS
WCML6-16032	16	.75	32	.19
WCML7.5-16032	16	1.10	32	.28
WCML8.5-16032	16	2.25	32	.56
WCML6-16036	16	.75	36	.17
WCML7.5-16036	16	1.10	36	.25
WCML8.5-16036	16	2.25	36	.50

Case L Available in sizes 6, 7.5 & 8.5 (12 Pin Printed Circuit)

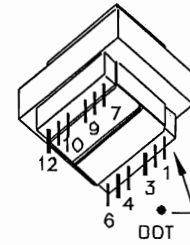
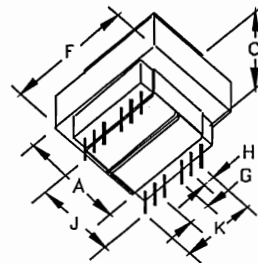
WC & WCM SERIES DIM. DATA

CASE	SIZE	A	C	F	G	H TYP	JxK	PIN SQ.
L	4	1.32	1.13	1.63	.250	.200	1.00x.65	.025
L	5	1.32	1.38	1.63	.400	.200	1.00x.80	.025
L	5.5	1.57	1.38	1.88	.400	.200	1.14x.80	.038
L	6	1.88	1.63	2.25	.400	.200	1.46x1.20	.038
L	7.5	2.19	1.57	2.63	.275	.275	1.68x1.38	.045
L	8.5	2.50	1.82	3.00	.300	.300	1.90x1.50	.045

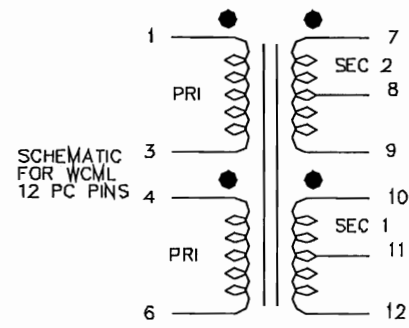
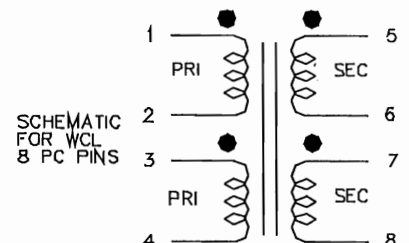
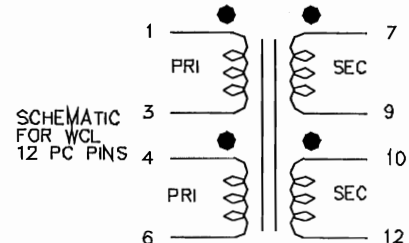
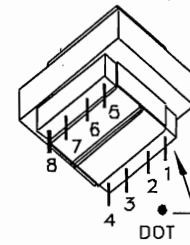
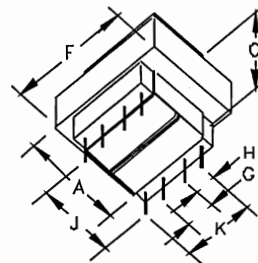
REFER TO WC SERIES TRANSFORMERS BY PART NUMBERS.



Class B [130 deg C]



CASE L
SIZES 4, 5 & 5.5



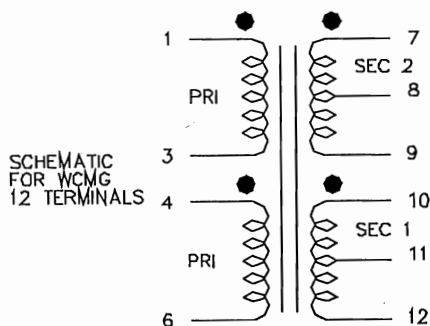
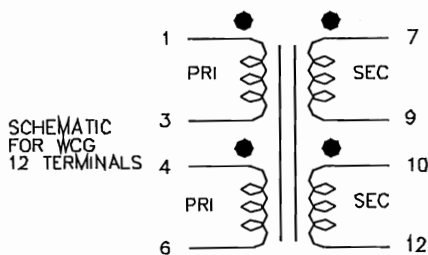
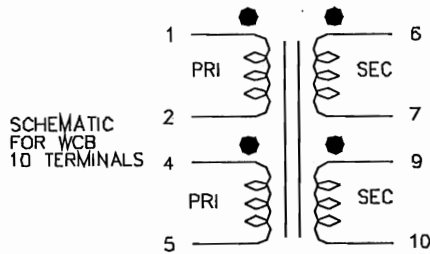
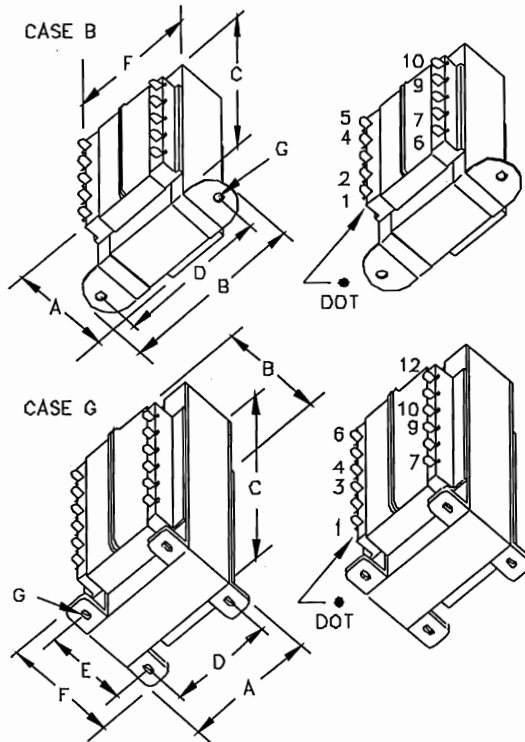


PARALINE WC & WCM SERIES CONTINUED

THE PARALINE WC SERIES, CASE B & G TRANSFORMERS ARE DUAL PRIMARY 120/240 VOLT (47-63 Hz) QUICK CONNECT TERMINAL TYPE TRANSFORMERS DESIGNED TO CONFORM TO GLOBAL MARKET REQUIREMENTS.

AVAILABLE TOTAL SERIES VOLTAGES AND CURRENT RATINGS OF SECONDARIES

VOLTS (SERIES)	AMPERES				
	SIZE 7	SIZE 8	SIZE 9	SIZE 10	SIZE 11
8	2.8	5.0	9.6	15	21
10	2.3	4.0	7.7	12	17
12.6	1.8	3.2	6.1	10	13
14	1.6	2.8	5.5	8.9	12
16	1.4	2.5	4.8	7.8	10
18	1.3	2.2	4.3	6.9	9.3
20	1.1	2.0	3.8	6.2	8.4
22	1.0	1.8	3.5	5.7	7.6
24	.95	1.6	3.2	5.2	7.0
26	.88	1.5	2.9	4.8	6.4
28	.82	1.4	2.7	4.4	6.0
30	.76	1.3	2.5	4.1	5.6
32	.71	1.2	2.4	3.9	5.2
34	.67	1.1	2.2	3.6	4.9
36	.64	1.1	2.1	3.4	4.6
40	.57	1.0	1.9	3.1	4.2
44	.52	.91	1.7	2.8	3.8
48	.48	.83	1.6	2.6	3.5
52	.44	.76	1.5	2.4	3.2
56	.41	.71	1.4	2.2	3.0
60	.38	.66	1.3	2.0	2.8
66	.35	.60	1.2	1.9	2.5
72	.31	.55	1.1	1.7	2.3
80	.28	.50	.96	1.5	2.1
88	.26	.45	.87	1.4	1.9
96	.24	.41	.80	1.3	1.7
104	.22	.38	.74	1.2	1.6
120	.19	.33	.64	1.0	1.4
140	.16	.28	.55	.89	1.2
160	.14	.25	.48	.78	1.0
180	.13	.22	.43	.69	.93
200	.11	.20	.38	.62	.84
220	.10	.18	.35	.56	.76
240	.09	.16	.32	.52	.70



Case B Available in sizes 7 & 8 (10 Terminals, Vertical)
Case G Available in sizes 9, 10 & 11 (12 Terminals, Vertical)

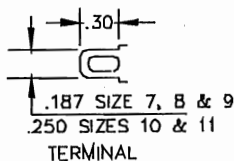
THE PARALINE WCM SERIES, CASE G TRANSFORMERS ARE QUICK CONNECT TERMINAL MICROPROCESSOR TRANSFORMERS DESIGNED TO CONFORM TO GLOBAL MARKET REQUIREMENTS.

PART NUMBER	SEC. #1 V/CT	AMPS	SEC. #2 V/CT	AMPS
WCMG9-16032	16	3.1	32	.78
WCMG10-16032	16	5.1	32	1.3
WCMG11-16032	16	7.0	32	1.8
WCMG9-16036	16	3.1	36	.69
WCMG10-16036	16	5.1	36	1.1
WCMG11-16036	16	7.1	36	1.5

Case G Available in sizes 9, 10 & 11 (12 Terminals, Vertical)

WC & WCM SERIES DIM. DATA

CASE	SIZE	A	B	C	D	E	F	G
B	7	1.88	2.82	2.32	2.38		2.00	.187
B	8	2.07	3.13	2.69	2.82		2.25	.187
G	9	2.50	2.38	3.00	2.00	2.19	2.81	.2x.37
G	10	2.82	2.88	3.38	2.25	2.50	3.12	.2x.37
G	11	3.13	2.88	3.75	2.50	2.50	3.05	.2x.37



REFER TO WC SERIES TRANSFORMERS BY PART NUMBERS.
SAMPLE: WCG 10 - 10
SERIES CASE SIZE VOLTAGES

Class B [130 deg C]