



A Unit of Electro Switch Corp

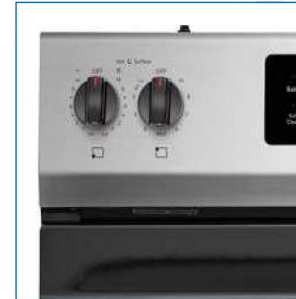


Your Source for Custom-Designed Switches, Connectors & Assemblies

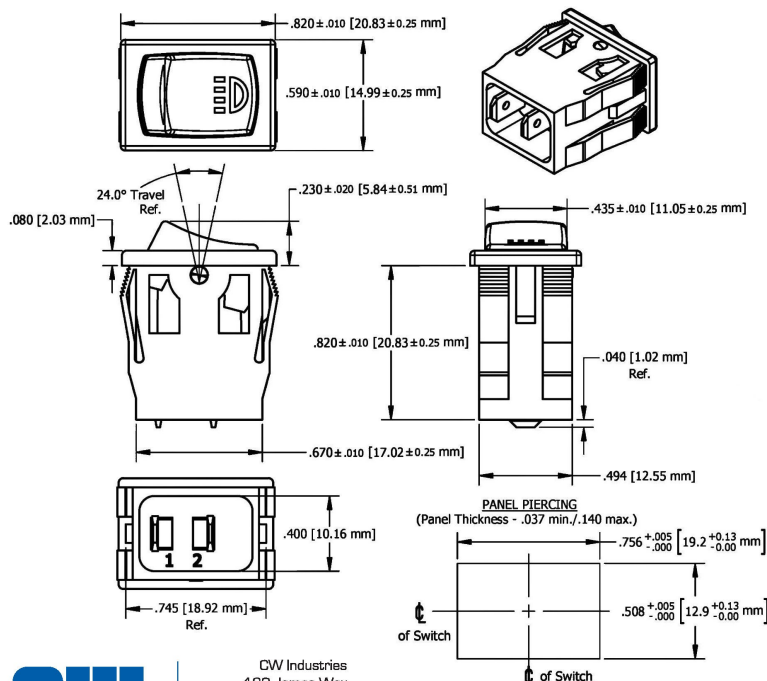


Meets UL 858 Sponge Wash Test

- Designed and manufactured to comply with UL 858 sponge wash test
- Standard .187" quick connect terminals
- Meets IP 54 seal requirements
- 105° C temperature rating
- Low Cost - SPST circuit
- Splash proof style construction isolates switching chamber
- Available in 3 industry standard colors - special colors available
- Various function symbols available
- Ideal for lighting and logic start applications



Designed for Standard .756"x.508" Panel Openings and Standard .187"x.032" Quick Connect Receptacles.



Notes:

- 1) Switch is designed & manufactured to comply with UL 858 sponge wash test.
- 2) Terminal Tab - .032" thk. x .187" wide.
- 3) High Gloss Switch Bezel.
- 4) Lamp Icon - Molded.
- 5) Switch is shown in the "ON" position.
- 6) Electrical Rating:
4A GP 125 VAC
60Hz 1E4 T105



PART NUMBER	SWITCH COLOR
GRS-4211-0004	Black
GRS-4211-0005	White
GRS-4211-0006	Bisque



CW Industries
130 James Way
Southampton, PA 18966
U.S.A.
Tel: +1 215-355-7080
Fax: +1 215-355-1088