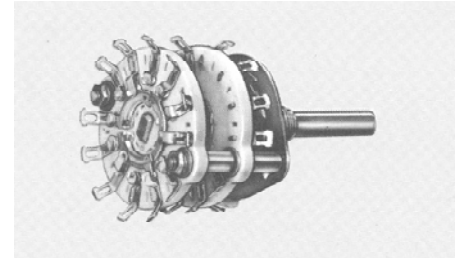
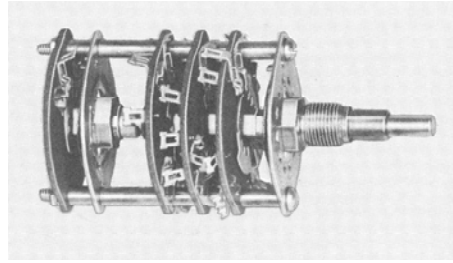


## 4M Type

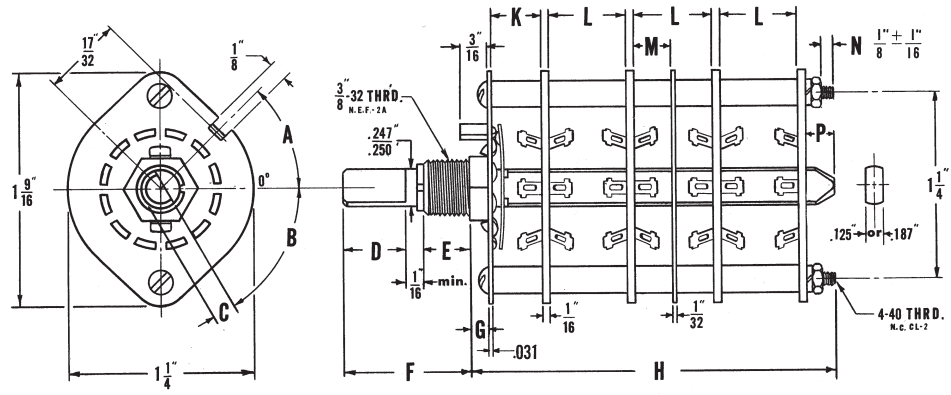
Type 4M switches are ideally suited for all multi-circuit switching applications. These switches may be supplied to commercial, military specifications.

Characteristics of Electroswitch's double wiping contact switches is the patented "Wedglock" design which is used to fasten the contacts to the stator, the most stable method of contact fastening available.

The 4M has many detent angles and circuits available. A starwheel, springs and single ball are used to provide positive detent action for the following variations: 22.5°, 25.7°, 30°, 36°, 45°, 60° and 90° detent angles.



## 4M Type Drawing



- A. Angle of Locating Key 0°, 45°, 135°, 180°, 225° & 315°. Tolerance ± 2°.
- B. Flat angle Per Customer Specification. Tolerance ± 2°.
- C. Thickness of Flat Per Customer Specification. Tolerance ± .002°.
- D. Flat Length - Any, as Required. Tolerance ± 1/64".
- E. Bushing Thread Length - Any, as Required. Standard 1/4" or 3/8".

- F. Shaft Length From Mounting Surface. Any, As Required. Tolerance ± 1/32".
- G. Bushing Shoulder - Any, as Required. Standard 1/8". Tolerance ± .005".
- H. Maximum Overall Length Behind Mounting Surface. Per Customer Specification. Indicate if Important.

- K. Detent Spacer - Minimum 1/4" If No Contacts Are Used On Front Side of Section. Minimum 3/32" With Contacts On Front Side of Section. Tolerance ± 1/64".
- L. Spacers - Minimum 7/16" with Bent Contacts Opposed. Minimum 3/16" with No Contacts Opposed. Minimum 1/4" with Flat Contacts Opposed.

- M. Spacer Between Electro-Static Shield and Section Minimum 1/8". Tolerance ± 1/64". Shields May Be Located Where Desired.
- N. Strut Screw Extension 1/8" ± 1/16" unless otherwise specified.
- P. Shaft Extension - Any, as Required. Standard 1/8".

## Specifications

### Size

1.560" diameter nominal

### Mounting

### Shaft

.250 diameter (+000 -.003)

### Stator Insulation

Phenolic or Ceramic treated with Dow Corning 200 for moisture resistance.

### Rotor Insulation

Phenolic or Ceramic

### Section Thickness

.062 Phenolic - .203 ceramic

### Contacts

Silver-plated brass or silver alloy.

### Contact Resistance

.002 ohms between adjacent clips

### Electrical Rating

.230A @ 115 VAC

1.5A @ 28 VDC

### Contact Staking

Solder-lug clips are secured to the stator using Electroswitch's patented "T" slugs

### Terminal Type Construction

"T" slug or Wedglock construction

## 4M Type Switch Assemblies

MAXIMUM SWITCHING PER SECTION					
Type	48 LR	410 LR	4 MLR	4 MLR	414 LR
Poles	45° Index (8 pos.)	36° Index (10 pos.)	30° Index (12 pos.)	60° Index (6 pos.)	25.7° Index 14 pos.
1	2 to 8 Pos.	2 to 10 Pos.	2 to 12 Pos.	2 to 6 Pos.	2 to 14 Pos.
2	2 to 4 Pos.	2 to 5 Pos.	2 to 6 Pos.	2 to 6 Pos.	2 to 7 Pos.
3	2 to 3 Pos.	2 to 4 Pos.	2 to 5 Pos.	2 to 3 Pos.	2 to 6 Pos.
4	2 Pos.	2 to 3 Pos.	2 to 4 Pos.	2 to 3 Pos.	2 to 5 Pos.
5	-	2 Pos.	2 to 3 Pos.	2 Pos.	2 to 3 Pos.
6	-	-	2 Pos.	2 Pos.	2 Pos.
10	-	-	on-off, off-on	-	-

## 4M Type Section

