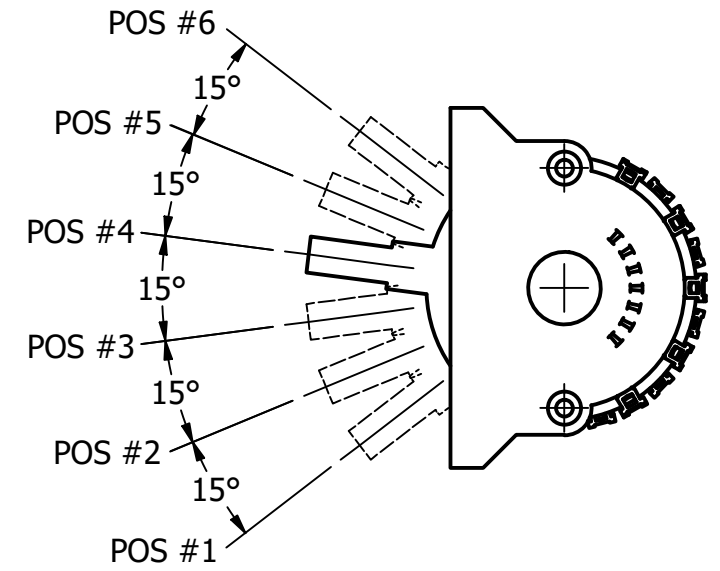
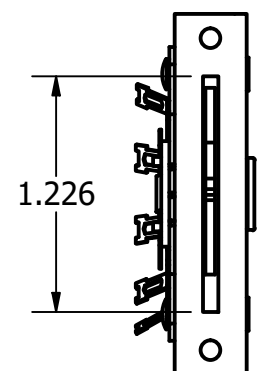
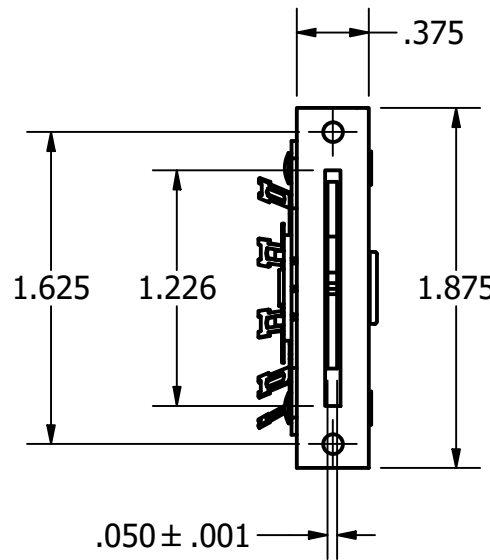



1 2 3 4 5 6 7 8 9 10 11 12 13 14 15 16

A
B
C
D
E
F
G
H
J
K

SIZE	52052					REV
B						
REVISIONS						
REV	DESCRIPTION	BY	ECN	DATE	APP'D	
A	NEW RELEASE					



NOTICE:
 THE INFORMATION INCLUDED WITH THIS DOCUMENT IS PROPRIETARY TO ELECTROSWITCH ELECTRONIC PRODUCTS LOCATED AT 2010 YONKERS ROAD, RALEIGH, NC 27604. ANY PARTY ACCEPTING THIS DOCUMENT DOES SO IN CONFIDENCE AND AGREES THAT IT SHALL NOT BE DUPLICATED IN WHOLE OR IN PART AND WILL NOT DISCLOSE IT TO ANY OTHER PARTY WITHOUT THE CONSENT OF ELECTROSWITCH CORP OR ITS SUBSIDIARIES.

MATERIAL				
FINISH				
UNLESS OTHERWISE SPECIFIED: ALL DIMENSIONS ARE BEFORE PLATING ALL DIMENSIONS ARE IN INCHES TOLERANCES: DECIMAL: $\pm .005$ ANGLE: $\pm 1'$	BY	DATE	NAME	
	DRN			
	CHK		SCALE	
	APP'D		SHEET 1 OF 1	

1 2 3 4 5 6 7 8 9 10 11 12 13 14 15 16