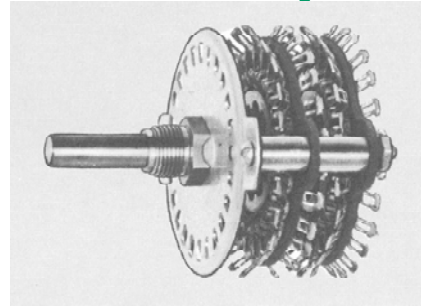
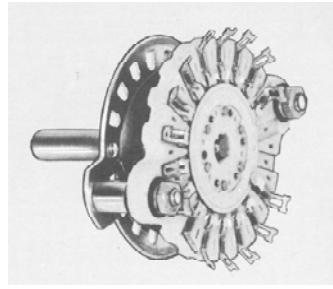
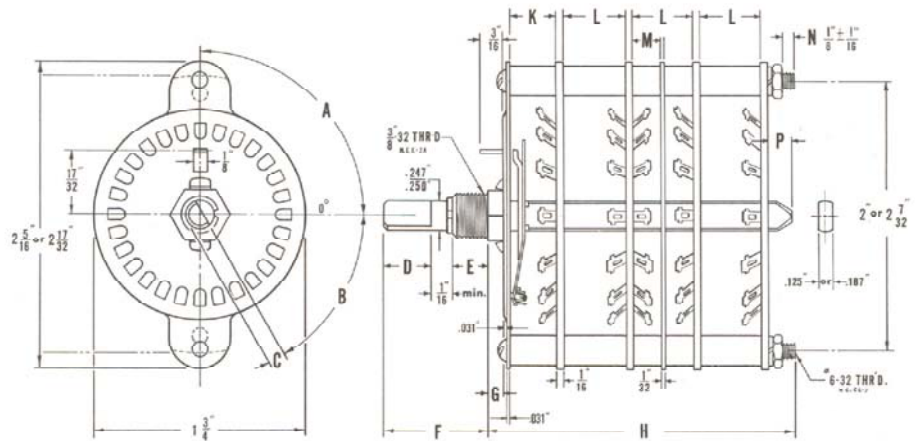


## 7M Type

7M type switches are ideally suited for instrument and special purpose uses or for heavy duty multi-circuit applications. The contact arrangement is similar to standard rotary switching in radial form. Several of the 7M types are available with either 2" or 2 7/32" strut centers (see illustrations below for those available in both sizes). Switches having 2 7/32" strut centers provide greater space at contact locations for component wiring. Those having 2" strut centers require 90° bent clip at contact locations in line with, and adjacent to, the strut centers.



## 7M Type Drawing



- A- Angle of locating Key 0°, 45°, 90°, 135°, 180°, 225°, 270°, 315°.
- B. Flat angle Per Customer Specification. Tolerance ±2°.
- C. Thickness of Flat Per Customer Specification. Tolerance ±.002".
- D. Flat length - Any, as Required. Tolerance ±1/64".
- E. Bushing Thread Length - Any, as Required. Standard 1/4" or 3/8".
- F. Shaft Length From Mounting Surface. Any, As Required. Tolerance ±1/32".
- G. Bushing Shoulder - Any, as Required. Standard 1/8". Tolerance ±.005".
- H. Maximum Overall Length Behind Mounting Surface. Per Customer Specification. Indicate if Important.
- K. Detent Spacer - Minimum 9/32" If No Contacts Are Used
- On Front Side of Section. Minimum 5/16" With Contacts On Front Side of Section. Tolerance ±1/64".
- L- Spacers- Minimum 7/16" with Bent Contacts Opposed. Minimum 3/16" with No Contacts Opposed. Minimum 1/4" with Flat Contacts Opposed.
- M- Spacer Between Electro-Static Shield and Section Minimum 1/8". Tolerance ±1/64". Shields May Be Located Where Desired.
- N- Strut Screw Extension 1/8" ±1/16" unless otherwise specified.
- P- Shaft Extension - Any as Required. Standard 1/8".

## Specifications

### Size

2" or 2 7/32" diameter nominal

### Mounting

### Shaft

.250 diameter (+000 -.003)

### Stator Insulation

Glass epoxy or Phenolic

### Rotor Insulation

Glass epoxy or Phenolic

### Section Thickness

.062 Phenolic

### Contacts

Silver-plated brass or silver alloy.

### Contact Resistance

.003 ohms between adjacent clips

### Electrical Rating

.230A @ 115 VAC

1.5A @ 28 VDC

### Contact Staking

Solder-lug clips are secured to the stator using Electroswitch's patented "T" slugs

### Terminal Type Construction

"T" slug or Wedgelock construction

## 7M Type Switch Assemblies

MAXIMUM SWITCHING PER SECTION					
Type	714 LR	718 LR	720 LR	724 LR	728 LR
	25.7° Index 14 positions	20° Index 18 positions	18° Index 20 positions	15° Index 24 positions	12.85° Index 28 pos.
Poles	2 to 14 Pos.	2 to 18 Pos.	2 to 20 Pos.	2 to 24 Pos.	27 Active Plus 1 (off)
1	2 to 13 Pos.	2 to 17 Pos.	2 to 19 Pos.	2 to 23 Pos.	2 to 13 Pos.
2	2 to 6 Pos.	2 to 8 Pos.	2 to 9 Pos.	2 to 11 Pos.	2 to 8 Pos.
3	2 to 6 Pos.	2 to 8 Pos.	2 to 9 Pos.	2 to 11 Pos.	2 to 6 Pos.
4	2 to 3 Pos.	2 to 5 Pos.	2 to 5 Pos.	2 to 7 Pos.	2 to 4 Pos.
5	2 to 3 Pos.	2 to 5 Pos.	2 to 5 Pos.	2 to 7 Pos.	2 to 3 Pos.
6	2 to 3 Pos.	2 to 5 Pos.	2 to 5 Pos.	2 to 7 Pos.	2 to 3 Pos.

## 7M Type Section

