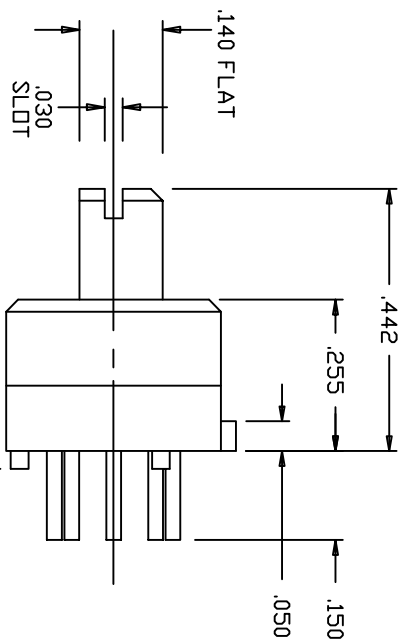
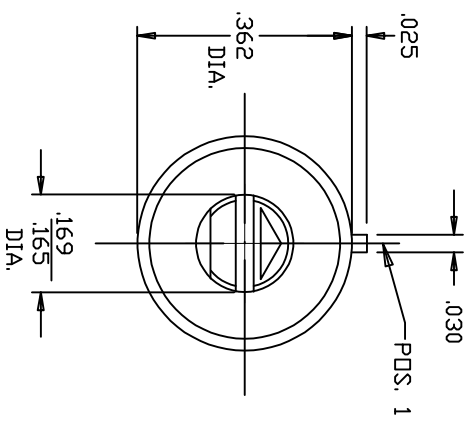


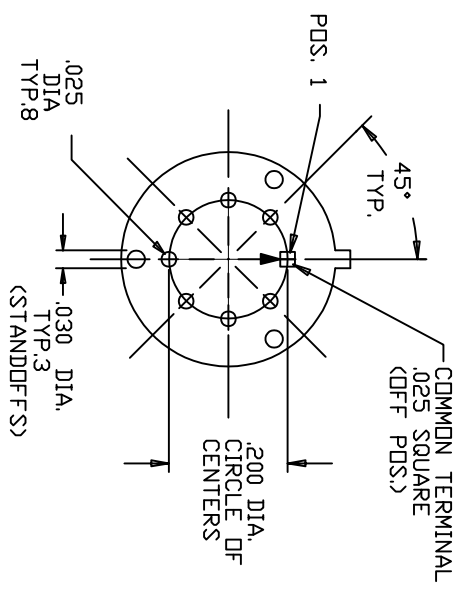
NOTES:  
 1. REFERENCE T05 SERIES DATASHEET FOR ELECTRICAL AND MECHANICAL SPECIFICATIONS.

SPEC. NO. See below  
 CUSTOMER Trone  
 DRAWN BY DP CHK'D BY \_\_\_\_\_ DATE 3/4/2025  
 # NO. OF POSITIONS WITH STOPS  
 NON-SHORTING CONTACTS  
 COVER SEAL

SWITCH SHOWN IN EXTREME C.C.W. POSITION



REAR VIEW



- SPEC. NO.:
- T05-4-1-02 - 2 position (ISS052630)
  - T05-4-1-03 - 3 position (ISS052631)
  - T05-4-1-04 - 4 position (ISS052632)
  - T05-4-1-05 - 5 position (ISS052633)

T05-4-1-#

TYPE	SHAFT	OFF POSITION	NUMBER OF POSITIONS	OPTION
T05	1-FLUSH TO BODY 2-.305" FROM END OF BODY 3-.250" FROM END OF BODY 4-.187" FROM END OF BODY	1-OFF POSITION CCW 2-OFF POSITION 8 ONLY	1-CONTINUOUS (8 POS. NO STOP) 2,3,4,5,6,7 & 8-POS. WITH STOPS	0-NONE 1-BOOT 2-SHAFT "O"RING

NOTICE:  
 THE INFORMATION INCLUDED WITH THIS DOCUMENT IS PROPRIETARY TO ELECTROSWITCH ELECTRONIC PRODUCTS LOCATED AT 2010 YONKERS ROAD, RALEIGH, NC 27604. ANY PARTY ACCEPTING THIS DOCUMENT DOES SO IN CONFIDENCE AND AGREES THAT IT SHALL NOT BE DUPLICATED IN WHOLE OR IN PART, AND WILL NOT DISCLOSE IT TO ANY OTHER PARTY WITHOUT THE CONSENT OF ELECTROSWITCH CORP OR ITS SUBSIDIARIES