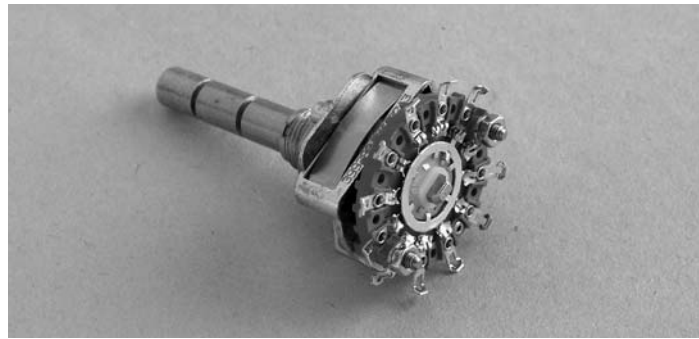
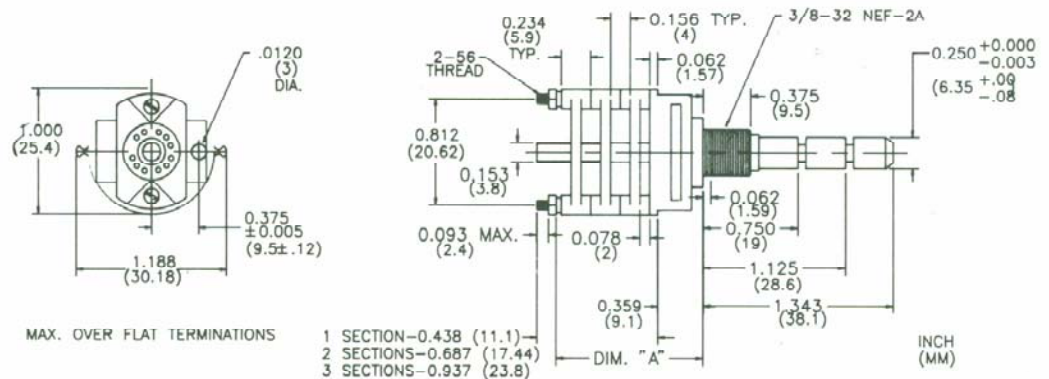


## A Type

1 inch diameter switches with Electroswitch patented Unidex® detent for positive action, feel and torque control. Double-wiping, self-cleaning contacts in silver plated brass, or silver alloy. Unique protective coating guards against tarnish and corrosion, extends shelf life.



## A Type Drawing



## Specifications

### Size

1" diameter nominal, with up to 3 sections  
Max. depth, 1.281

### Mounting

Clearance holes for a .375-32 bushing and a .120 diameter locating key on a .375" radius

### Shaft

.250 diameter (+000 -.003); or .125 diameter (+000 -.003)

### Indexing

Unidex® dual ball, 30

### Terminal Strength

2.5 lb. pull

### Stator Insulation

Diallyl phthalate per MIL-M-14  
Glass silicone

### Rotor Insulation

Thermoplastic

### Section Thickness

Type AM - .078

Type AE - .062

### Contacts

Silver-plated brass or silver alloy.

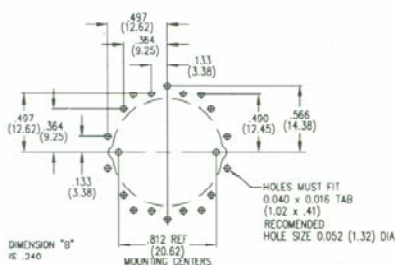
### Contact Resistance

.003 to .015 ohms between adjacent clips

### Electrical Rating

Break .5 amp at 28 volts DC, .25 amp at 110 volts AC, resistive. Carry 5 amps

## PCB Layout



## A Type Switch Assemblies

### With Silver - Plated Brass Contacts and Solder Terminals

Total Poles	Active Positions	Poles/Section	Figure Number*	Number of Sections
1	2-12	1	1	1
2	2-6	2	2	1
2	2-12	1	1	2
3	2-5	3	7	1
3	2-12	1	1	3

## A Type Section

Total Poles	Active Positions	Section Type	Figure Number*
1	2-12	Standard	1
2	2-6	Standard	2
3	2-5	Standard	7
1	2-12	Notched Blade	9
1	2-10	Conductive Shorting	10
1	-	Capacitor Decade	12
1	-	Resistor Decade	13
1	-	Binary Coded 0-11	11

### With Printed Circuit Terminals

1	2-12	Standard PC	1
2	2-6	Standard PC	2
3	2-5	Standard PC	7

### TYPE A 'PCB' Sections with Silver Alloy

#### Printed Circuit Terminations, Glass Epoxy Insulation

1	2-12	APCB	21
2	2-6	APCB	20