

## F Type

1.312 inch diameter switch with dual ball-type indexing for a positive feel and uniform torque. Double-wiping, silver-plated brass contacts, or silver alloy. Unique protective coating guards against tarnish and corrosion, extends shelf life. Type F, phenolic insulation; Type FC, ceramic insulation.

## Specifications

### Size

Type F: 1.281 width x 1.312 height.  
Type FC: 1.25 width

### Mounting

Clearance holes for a .375-32 bushing and a .125" x .037" locating key on a .531" radius

### Shaft

.250" diameter (+000 -.003)

### Indexing

Hill and valley dual ball type, 30°

### Terminal Strength

5 lb. pull

### Rotor Insulation

Type F, phenolic PBE-P per LP-513 or thermoplastic; Type FC, ceramic

### Stator Insulation

Type F: phenolic PBE-P per LP-513;  
Type FC: ceramic

### Section Thickness

Type F: .062"

Type FC: .120"

### Contacts

Silver-plated brass, or silver alloy.

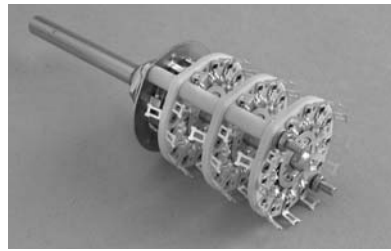
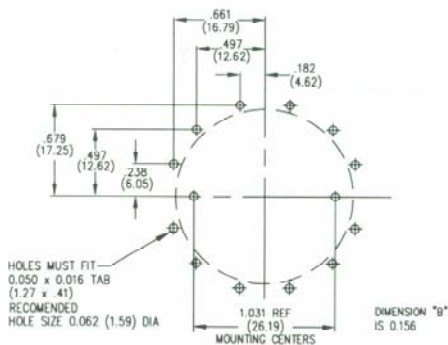
### Contact Resistance

.003 to .015 ohms between adjacent clips

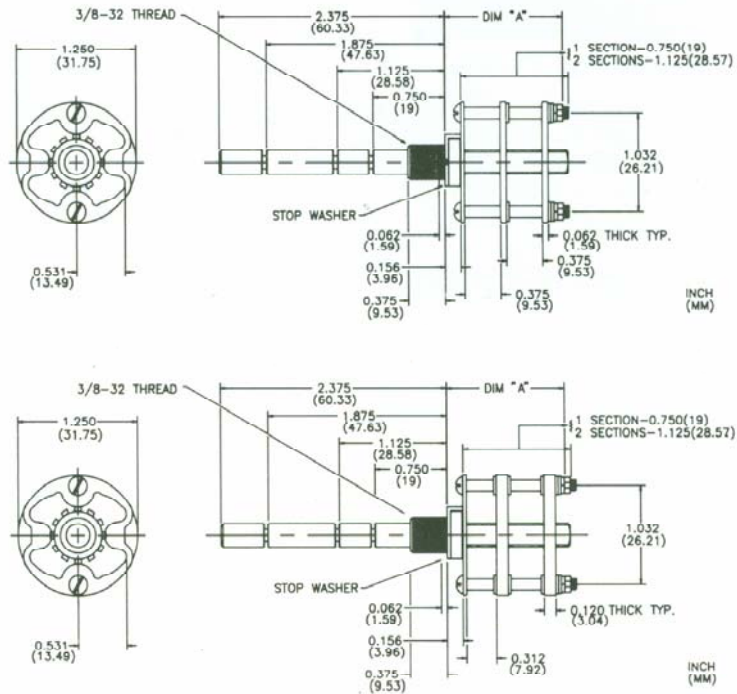
### Electrical Rating

Break 1 amp at 28 volts DC, .5 amp at 110 volts AC, resistive. Carry 5 amps

## PCB Layout



## F Type Drawing



## F Type Switch Assemblies

### With Silver - Plated Brass Contacts and Solder Terminals

Total Poles	Active Positions	Poles/Section	Figure Number *	Number of Sections
1	2-11	1	6	1
2	2-5	2	4	1
2	2-11	1	6	2
3	2-3	3	5	1

### With Silver - Plated Brass Contacts and Printed Circuit Terminals

1	2-11	1	6	1
2	2-5	2	4	1
3	2-3	3	5	1

## F Type Section

### With Silver - Plated Brass Contacts and Solder Terminals

Total Poles	Active Positions	Section Type	Figure Number *
1	2-11	Standard	6
2	2-5	Standard	4
3	2-3	Standard	5
1	2-11	Notched Blade	8
1	2-11	Standard	6
2	2-5	Standard	4
3	2-3	Standard	5
1	2-11	Notched Blade	8