

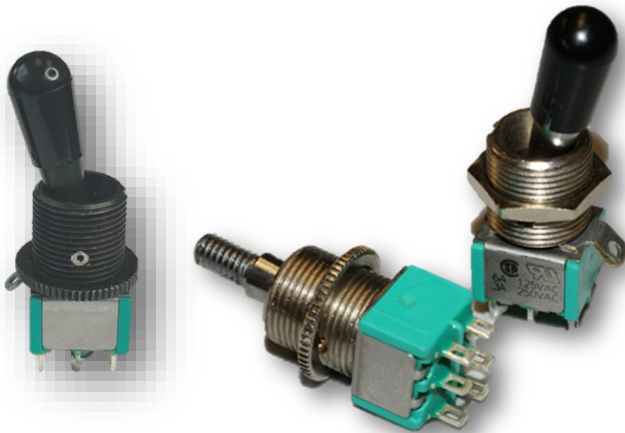


Compact 3 Way Toggle Switch

The New JT-2020 Toggle Switch provides Guitar Manufacturers a compact, silent action switch, requiring less space than traditional switches in the market.

JT-2020 Series

- **On-On-On Toggle**
- **Requires Less Space**
- **Produces Less Noise**



Now with **Bright Brass** or **Black** finish options to better accentuate your guitar. **JT-2020G** and **JT-2020B**

Compact Size

Smooth Silent-Action Toggle Switches

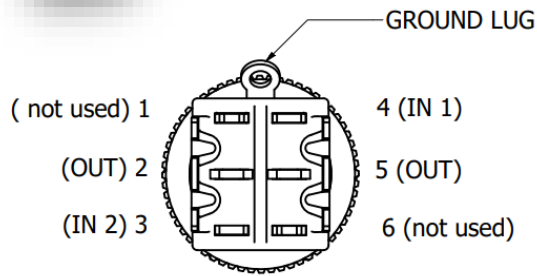
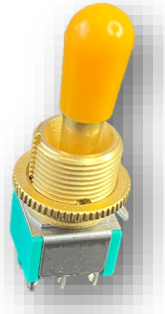


Part Numbers:

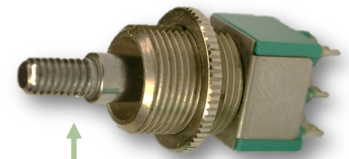
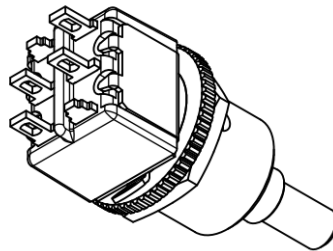
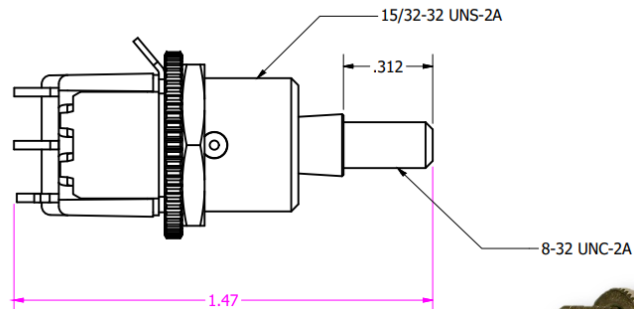
JT-2020 Chrome Finish

JT-2020B Black Finish

JT-2020G Bright Brass Finish



Jumper 2 & 5 together for output



**Threaded bat lever for
 Guitar switch caps.
 (Caps sold Separately)**

SPECIFICATIONS:

Contact Ratings — 6 amps at 125 VAC, 3 amps @ 250 VAC (U.L. recognized, CSA certified) or 6 amps at 28 VDC resistive.

Life Under Load — 60,000 make-and-break cycles — resistive load only.

Initial Contact Resistance — 10 milliohms maximum @ 3 VDC

Insulation Resistance — 1,000 megohms, min.

Dielectric Strength — 1,000 volts rms at sea level.

Bushing Strength — 12 pound-inches without physical damage to switch.

Weight (including hardware) — 0.23 oz.

MATERIALS:

Base (body) — Diallyl Phthalate

Lever (toggle) — Brass, with chrome, black oxide or bright brass plating.

Bushing — Brass, with nickel, black oxide or bright brass plating.

Clamp (frame) — Stainless steel.

