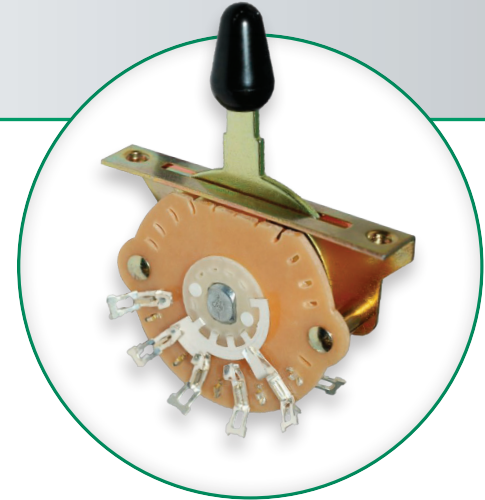


52052 Blade Switch

- Industry's first
6-way Blade Switch



Electroswitch's new 52052 6-position blade action switch provides guitar players with more tone possibilities and pick-up combinations. Featuring an extra position, the 52052 switch broadens wiring options, while reducing the number of standard switches needed to accomplish similar design functionality. The quiet 52052 blade switch delivers fast and easy switching between pickups in the middle of sustains.

- More tone options
- New pick-up combinations
- Optimizes player experience
- Simplified wiring
- 2-pole, 6-position blade switch
- Reduced switch count

Electroswitch

888-768-2797
sales@electro-nc.com

www.electro-nc.com

6-Way Blade Switch Optimizes Player Experience

Part Number 52052

SPECIFICATIONS



Electrical Characteristics

Current and Voltage Ratings

Resistive load. Silver plated brass, make and break;

- 1.5 amp at 28 VDC, .230 amp at 115 VAC RMS
- 0.22 amp at 100 VDC, 1.75 amp at 24 VAC RMS

Current Carrying Capacity - Silver plated brass: 9 amps

Dielectric Strength - 1,500 VAC between critical parts and ground

Contact Resistance- Silver plated parts: average initial 3 milliohms

Mechanical Characteristics

Index - The frame uses indexing bumps of the Hill & Valley type to ensure positive indexing at each of the positions available. A single roller type bearing of Type 303 stainless steel to ensure positive engagement with the indexing valleys of the frame.

Contact Staking - Solder-lug clips are secured to the stator using Electroswitch's patented "T" slugs

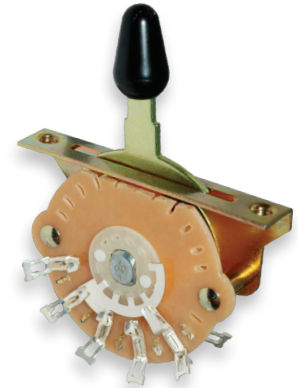
Insulation/Temperature/Levers

Insulation - Glass epoxy

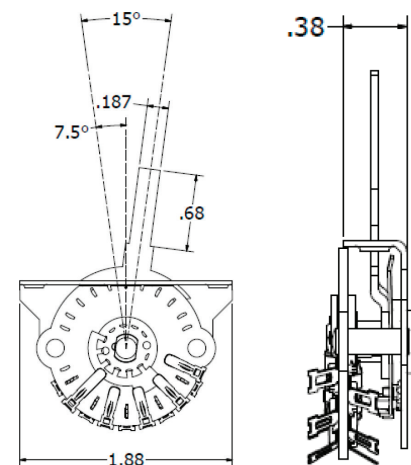
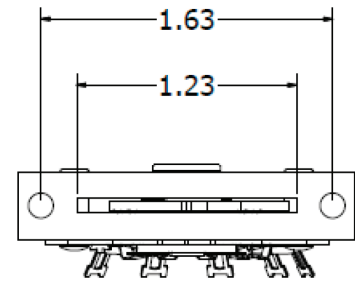
Temperature - Standard commercial -25°C to +85°C

Levers - Uses standard push button switch knobs that fit a .187" x .050" dimension

Product information subject to change without notice
 Flier-EEP-52052 RevA ©Copyright Electroswitch 2017



Lever Shown in 4th Position



Electroswitch

888-768-2797

sales@electro-nc.com

www.electro-nc.com