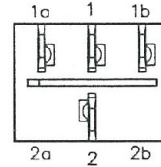
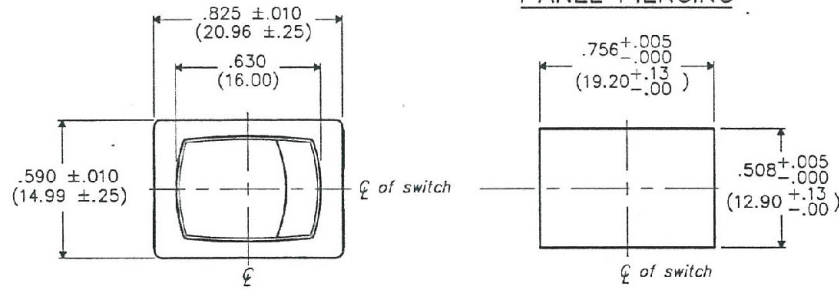


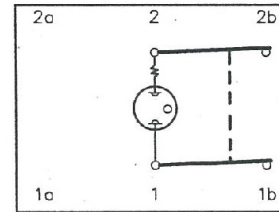
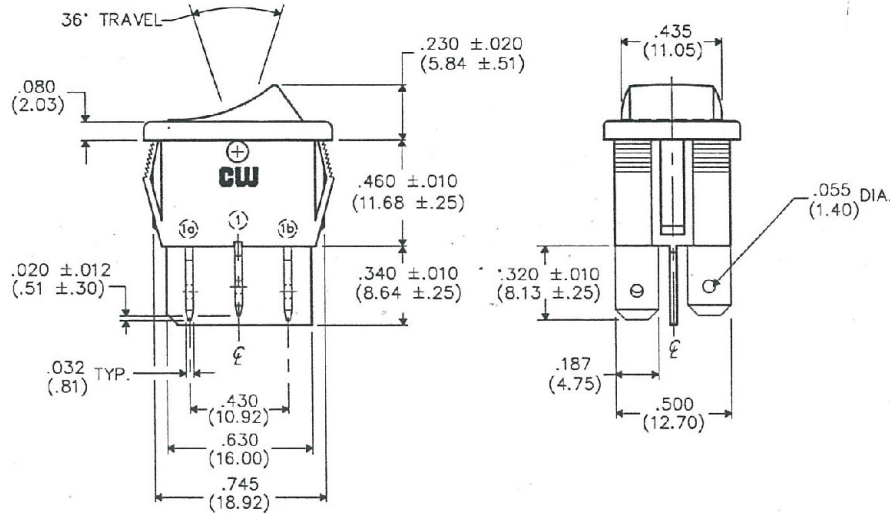
DIMENSIONS IN INCHES (MILLIMETERS)
DO NOT SCALE DRAWING

Dwg. No.
GRL-4012-0000

PANEL PIERCING



BOTTOM VIEW



WIRING DIAGRAM SHOWING
INTERNAL LAMP CONNECTIONS.

FORM-B

REVISIONS

0	RELEASED
1	DGW 10-17-94
2	AW 10-20-94

ATTENTION
 THIS DRAWING AND ITS ATTACHMENTS, IF ANY, ARE PROPRIETARY TO CW INDUSTRIES AND DESCRIBE DESIGNS THAT ARE CONFIDENTIAL AND MUST NOT BE DISCLOSED UNLESS AUTHORIZED, IN WRITING, BY AN OFFICER OF CW INDUSTRIES.....



cw INDUSTRIES
 Southampton, Pa. 18966

TOLERANCES UNLESS OTHERWISE SPECIFIED
 2 Place decimal ±.010 METRIC
 3 Place decimal ±.005 1 Place dec. ±.25mm
 Angles ± 1' 2 Place dec. ±.13mm

Id. No.: SAP0021A
 Made for: CW IND.
 Drawn by: DGW 10-17-94
 Checked by: G. GULD 10-20-94
 Approval: A. HOFFER 10-20-94

Title:
**LIGHTED
 ROCKER SWITCH
 ASSEMBLY
 (POP IN) S.P./D.T.**

Division:
SWITCH
 Dwg. No.
GRL-4012-0000