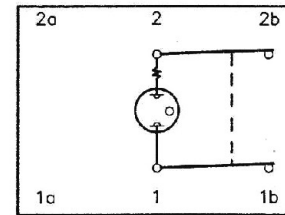
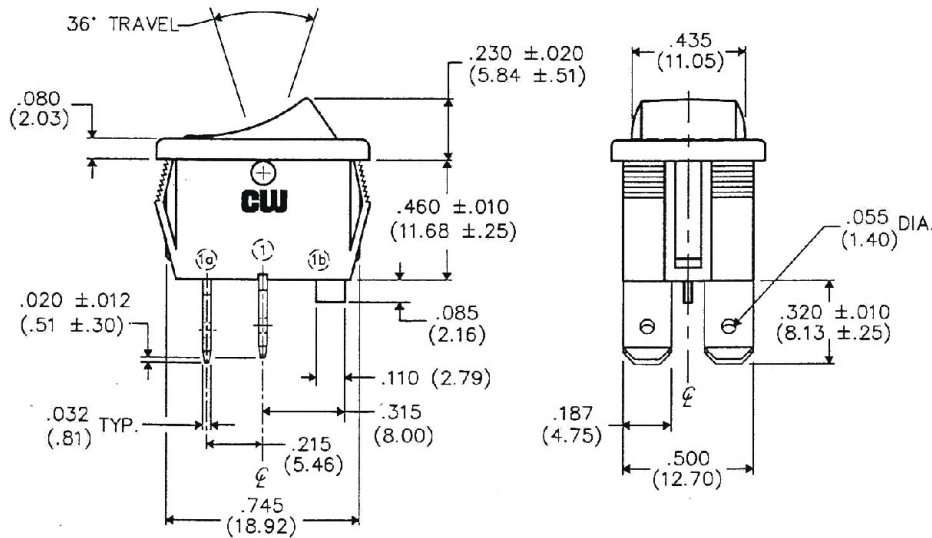
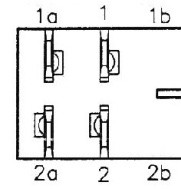
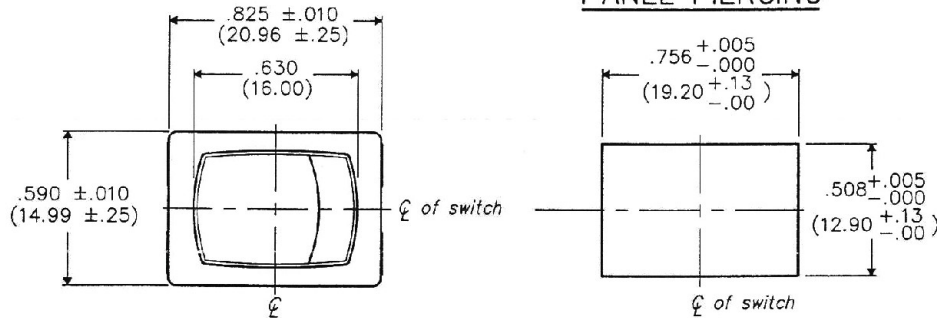


DIMENSIONS IN INCHES (MILLIMETERS)
DO NOT SCALE DRAWING

Dwg. No.
GRL-4021-0011

PANEL PIERCING



E
D
C
B
A

1 2 3 4 5 6 7 8 9 10

B-FORMAT 2002

REVISIONS

RELEASED: DGW 2-21-2008
FEB 22 2008

ATTENTION
 THIS DRAWING AND ITS ATTACHMENTS, IF ANY, ARE PROPRIETARY TO CW INDUSTRIES AND DESCRIBE DESIGNS THAT ARE CONFIDENTIAL AND MUST NOT BE DISCLOSED UNLESS AUTHORIZED, IN WRITING, BY AN OFFICER OF CW INDUSTRIES.....

PDF FILE MADE	CW INDUSTRIES Southampton, Pa. 18966		Title: LIGHTED ROCKER SWIDGET ASSEMBLY (POP IN) D.P./S.T.	
	TOLERANCES UNLESS OTHERWISE SPECIFIED		Division: SWITCH	
	2 Place Decimal ±.010	METRIC	Dwg. No. GRL-4021-0011	
	3 Place Decimal ±.005	1 Place Dec. ±.25mm	Approval: <i>G. Guld 2-22-08</i>	
Angles ±1°		2 Place Dec. ±.13mm		