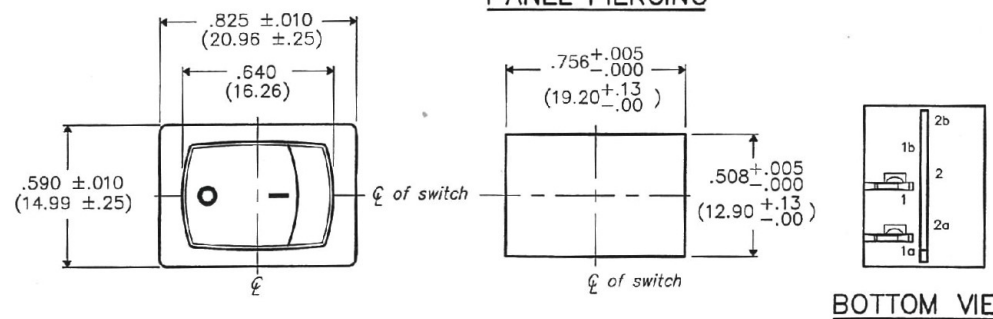


F
 D
 C
 B
 A

THIS INFORMATION IS CONFIDENTIAL AND PROPRIETARY TO CW INDUSTRIES INCORPORATED AND ITS AFFILIATES. IT MAY NOT BE DISCLOSED TO ANYONE OTHER THAN CW INDUSTRIES PERSONNEL, WITHOUT WRITTEN AUTHORIZATION FROM CW INDUSTRIES INCORPORATED, SOUTHAMPTON, PENNSYLVANIA USA.

DIMENSIONS IN INCHES (MILLIMETERS) Dwg. No.
 DO NOT SCALE DRAWING GRS-4011-0015

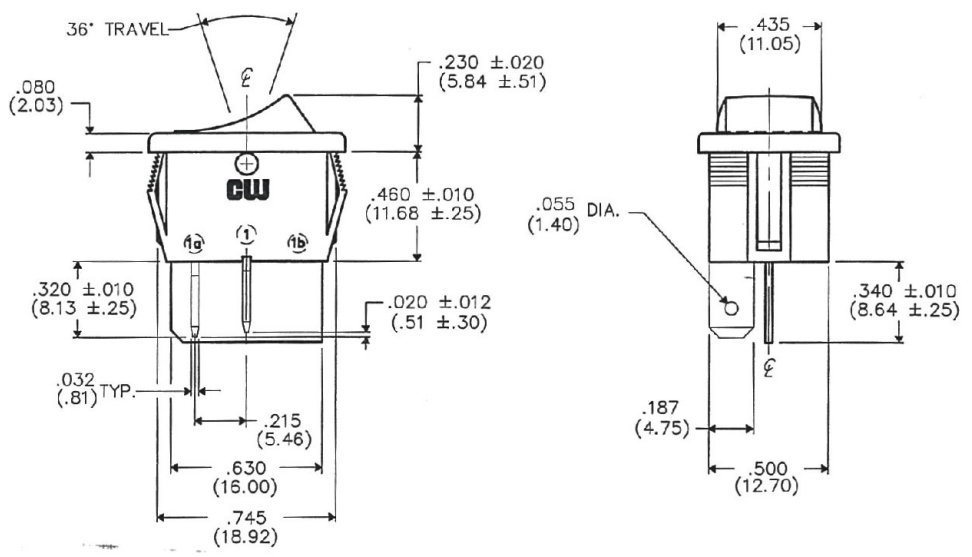
PANEL PIERCING



BOTTOM VIEW

SWITCH COLOR - Black
 LEGEND COLOR - White

SWITCH RATINGS:
 UL & CSA
 8A. 125VAC 4A. 250VAC
 3A. 277VAC



1 2 3 4 5 6 7 8 9 10

B-FORMAT 2002
REVISIONS
 RELEASED: DGW 7-19-13
 JUL 19 2013



CW INDUSTRIES Southampton, Pa. 18966		Title: ROCKER SWIDGET ASSEMBLY S.P. - S.T.	
		Division: SWITCH	
TOLERANCES UNLESS OTHERWISE SPECIFIED 2 Place Decimal ±.010 METRIC 3 Place Decimal ±.005 1 Place Dec. ±.25mm Angles ±1' 2 Place Dec. ±.13mm		Dwg. No. GRS-4011-0015	
Made for: CW IND.		Checked by: <i>G. Guld</i> 7-19-13	
Drawn by: DGW 7-19-13		Approval: <i>G. Guld</i> 7-19-13	