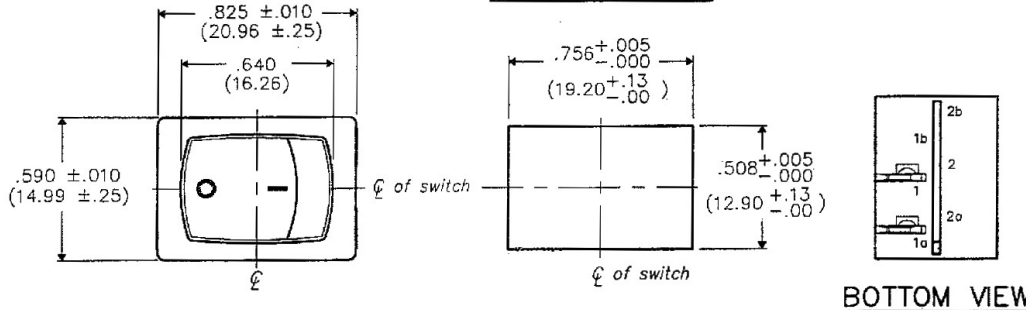


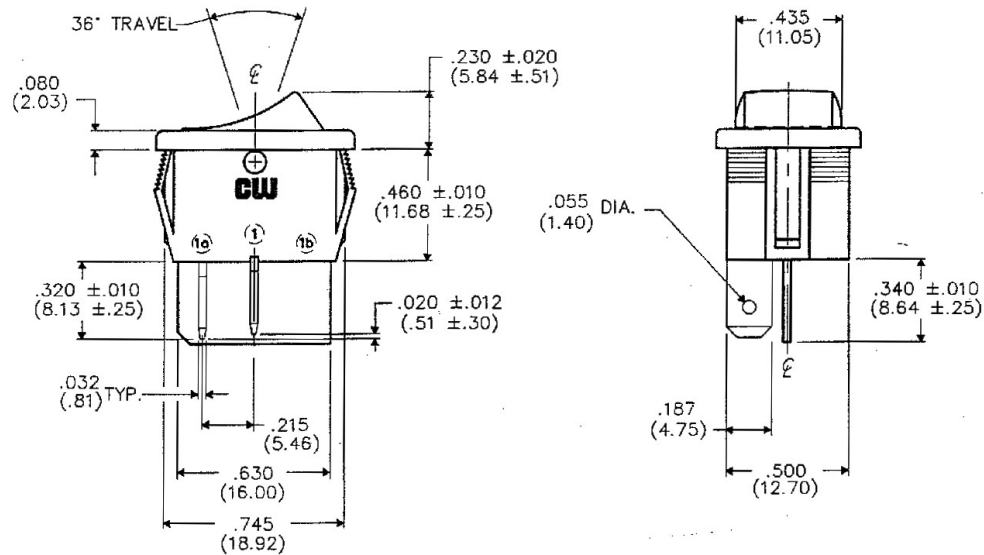
DIMENSIONS IN INCHES (MILLIMETERS)
DO NOT SCALE DRAWING

Dwg. No.
GRS-4011-0021

PANEL PIERCING



BOTTOM VIEW



MATERIAL:

ROCKER KNOB- Nylon 94V-2
HOUSING- Nylon 94V-2
TERMINAL/STATIONARY/MOVING CONTACT- Copper alloy,
and/or copper alloy silver plated.
SPRING- music wire
PLUNGER- plated steel

PERFORMANCE STANDARDS-

Endurance- 100,000 cycles, no load, minimum
25,000 cycles at rated load minimum up to 16A
125 VAC
10,000 cycles at rated load minimum at 16A
250 VAC
Contact Resistance- less than .01 Ohm at 10 mA (initial)
Operating Temperature- 105° C maximum
High Voltage Dielectric Withstanding Voltage- 2,500 V,
60 Hz for 1 minute between mounting
surface and circuit connections

HUMIDITY- Insulation resistance > 10³ MOhms after 100 hours
at 95% R.H. and 50° C followed by 1 hour dry
at ambient room conditions

ELECTRICAL RATING-

16A 125-250VAC , 10A 14V (T)
3/4 H.P. 125-250VAC , 3A 125V (L)
10(4) 250 ~ μ

LISTING AGENCIES-



FORM-B4
REVISIONS
0
RELEASED
DGW 7-05-2006
JUL 07 2006



CW INDUSTRIES
Southampton, Pa. 18966

TOLERANCES UNLESS OTHERWISE SPECIFIED	
2 Place Decimal ±.010	METRIC
3 Place Decimal ±.005	1 Place Dec. ±.25mm
Angles ±1°	2 Place Dec. ±.13mm

Made for: CW IND.
Drawn by: DGW 7-05-2006
Checked by: [Signature] 7/6/06
Approval: [Signature] 7-6-6

Title:
**ASSEMBLY
ROCKER SWIDGET
S.P.- S.T.**

Division:
SWITCH

Dwg. No.
GRS-4011-0021