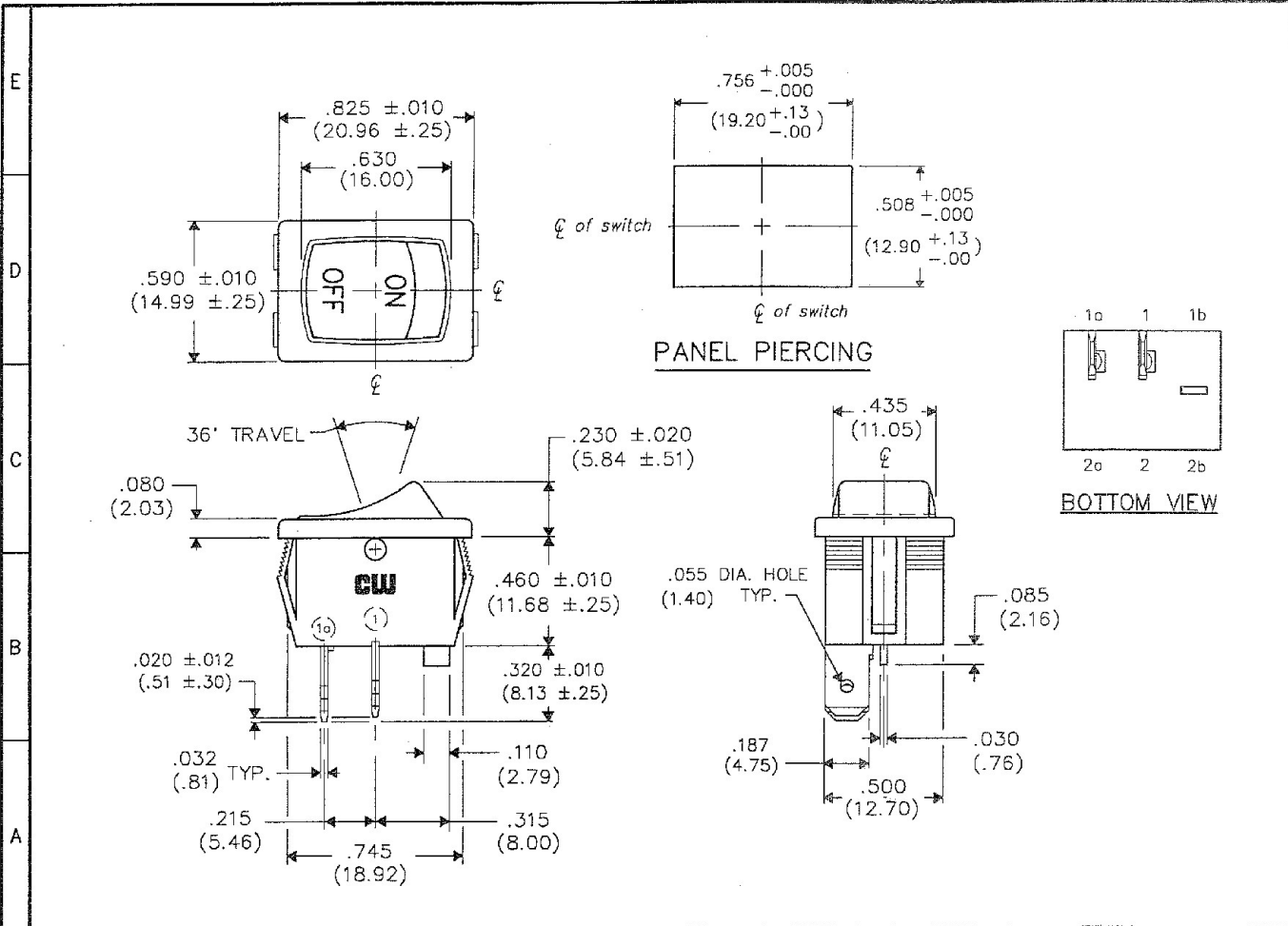


DIMENSIONS IN INCHES (MILLIMETERS)
DO NOT SCALE DRAWING

Dwg. No.
GRS-4011-0036



1 2 3 4 5 6 7 8 9 10

FORM-B3
REVISIONS
RELEASED
DGW
DEC 11 1996



CW INDUSTRIES
Southampton, Pa. 18966

TOLERANCES UNLESS OTHERWISE SPECIFIED
2 Place Decimal ±.010 METRIC
3 Place Decimal ±.005 1 Place Dec. ±.25mm
Angles ±1' 2 Place Dec. ±.13mm

Made for: CW IND.
Drawn by: DGW 12-11-96
Checked by: G. GULD 12-11-96
Approval: D. F. ... 12-11-96

Title:
MINI SWITCH
SNAP - IN
S.P. - S.T.

Division:
SWITCH

Dwg. No.
GRS-4011-0036