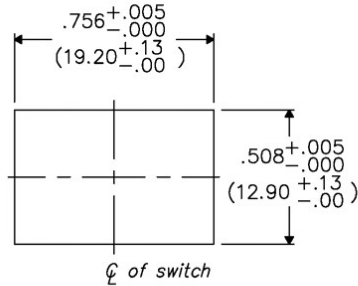
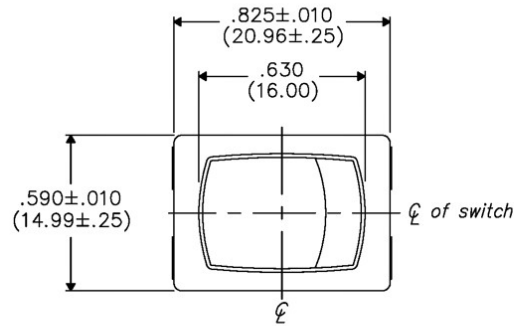


DIMENSIONS IN INCHES (MILLIMETERS)
DO NOT SCALE DRAWING

Dwg. No.
GRS-4011-1600

PANEL PIERCING



MATERIAL:

ROCKER KNOB- Nylon 94V-2
HOUSING- Nylon 94V-2
TERMINAL/STATIONARY/MOVING CONTACT- Copper alloy,
and/or copper alloy silver plated.
SPRING- music wire
PLUNGER- plated steel

PERFORMANCE STANDARDS-

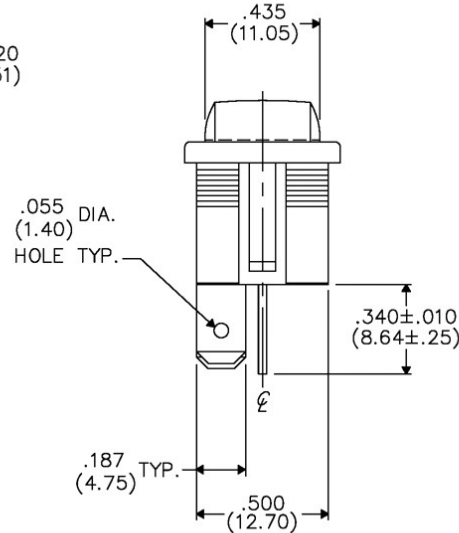
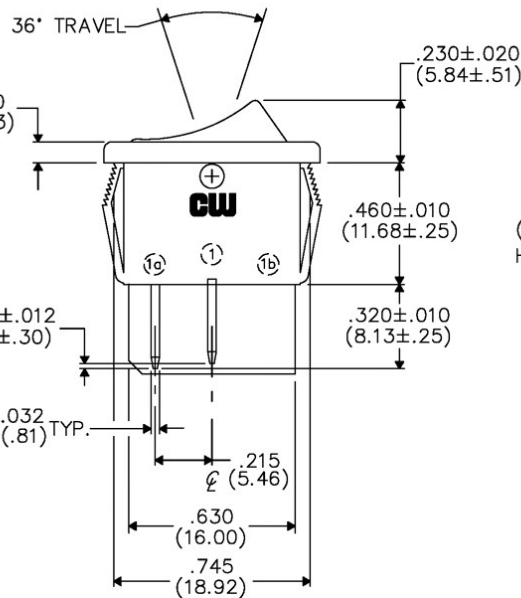
Endurance- 100,000 cycles, no load, minimum
25,000 cycles at rated load minimum up to 16A
125 VAC
10,000 cycles at rated load minimum at 16A
250 VAC
Contact Resistance- less than .01 Ohm at 10 mA (initial)
Operating Temperature- 105° C maximum
High Voltage Dielectric Withstanding Voltage- 2,500 V,
60 Hz for 1 minute between mounting
surface and circuit connections

HUMIDITY- Insulation resistance > 10³ MOhms after 100 hours
at 95% R.H. and 50° C followed by 1 hour dry
at ambient room conditions

ELECTRICAL RATING-

16A 125-250VAC , 10A 14V (T)
3/4 H.P. 125-250VAC , 3A 125V (L)
10(4) 250 ~ μ

LISTING AGENCIES-



1 2 3 4 5 6 7 8 9 10

B-FORMAT 2002
REVISIONS
0
1
RELEASED.
DGW 9-10-93
RBK SEP. 16, 1993
REDRAWN. ADDED RADIUS
ON BOTTOM OF CLAW.
DGW 4-26-2005
CH APR. 26, 2005



PDF FILE MADE
CW INDUSTRIES
Southampton, Pa. 18966
TOLERANCES UNLESS OTHERWISE SPECIFIED
2 Place Decimal ±.010 METRIC
3 Place Decimal ±.005 1 Place Dec. ±.25mm
Angles ±1° 2 Place Dec. ±.13mm
Made for: CW IND.
Drawn by: DGW 9-10-93
Checked by: CH 4/26/05
Approval: BF 4/26/5

Title: ROCKER SWIDGET
ASSEMBLY
(POP-IN)
S.P.-S.T.
Division: SWITCH
Dwg. No.
GRS-4011-1600