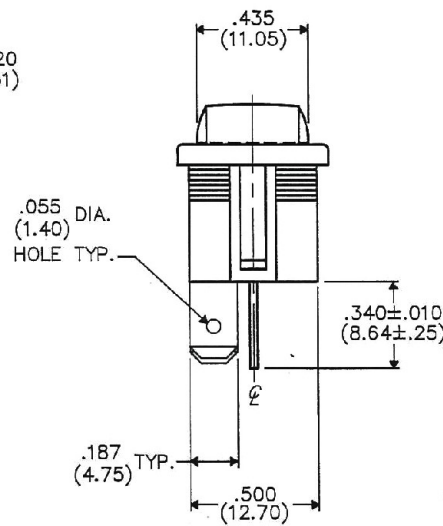
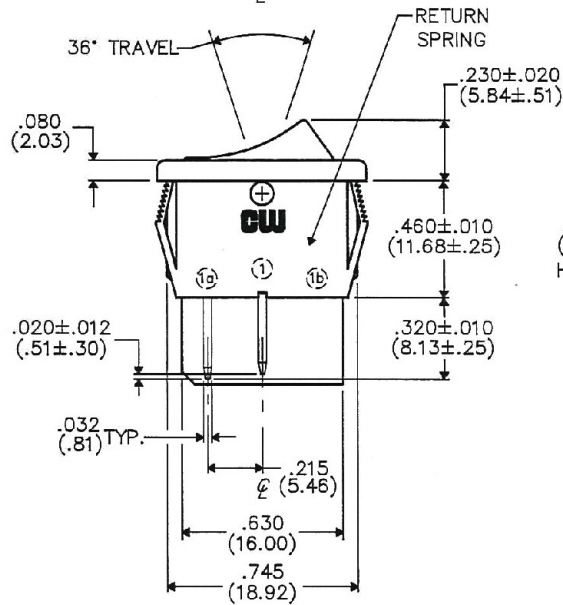
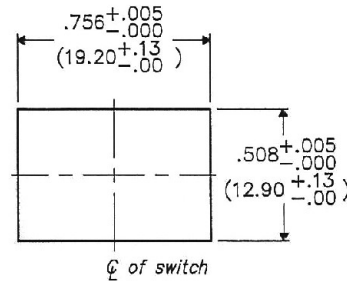
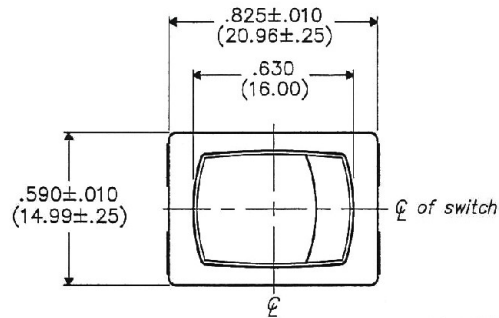


E  
D  
C  
B  
A

**PANEL PIERCING**

DIMENSIONS IN INCHES (MILLIMETERS)  
DO NOT SCALE DRAWING .....

Dwg. No.  
**GRS-4011B-1300**



**MATERIAL:**

- ROCKER KNOB- Nylon 94V-2, Color- Black
- HOUSING- Nylon 94V-2, Color- Black
- TERMINAL/STATIONARY/ MOVING CONTACT- Copper alloy, Micro - Finish
- SPRING- Music wire
- PLUNGER- Nickel plated steel

**ELECTRICAL RATING-**

- 13A. 125VAC 10A. 250VAC
- 1/2 H.P. 125-250VAC 5A. 14V(T)

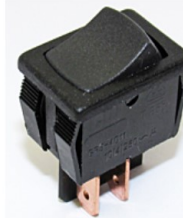
**LISTING AGENCIES-**



1 2 3 4 5 6 7 8 9 10

FORM-B4	<b>REVISIONS</b>
	0
	1
	RELEASED: 1-22-2002 DCW Jan. 23, 2002 Redrawn & Updated. Added materials & ratings. DCW 7/31/2019 AUG 0 5 2019

**ATTENTION**  
 THIS DRAWING AND ITS ATTACHMENTS, IF ANY, ARE  
 PROPRIETARY TO CW INDUSTRIES AND DESERVE  
 PROTECTION THAT ARE CONFIDENTIAL AND MUST NOT  
 BE DISCLOSED UNLESS AUTHORIZED, IN WRITING,  
 BY AN OFFICER OF CW INDUSTRIES.



<b>CW INDUSTRIES</b> Southampton, Pa. 18966	
TOLERANCES UNLESS OTHERWISE SPECIFIED	
2 Place Decimal ±.010	METRIC
3 Place Decimal ±.005	1 Place Dec. ±.25mm
Angles ..... ±1°	2 Place Dec. ±.13mm
Made for: CW IND.	
Drawn by: DGW 1-22-2002	
Checked by: G. BULD 7-31-19	
Approval: <i>[Signature]</i> 7/31/19	

Title: <b>ROCKER SWIDGET ASSEMBLY (POP-IN) S.P.- S.T./NO</b>	
Division:	<b>SWITCH</b>
Dwg. No.	<b>GRS-4011B-1300</b>