

DIMENSIONS IN INCHES (METRIC-MILLIMETERS)  
DO NOT SCALE DRAWING..

Drawing Number  
**GRS - 401IC**

ROCKER SWITCH  
ELECTRICAL

TYPE	CIRCUIT	RATING	UL & CSA	VDE*
GRS-4011	SPST	13A 125V AC )	Approved	
		10A 250V AC )		
		8A 125V AC )	Approved	
		4A 250V AC )		
		16A 125-250V AC )	Approved	
		3A 125V (L) )		
		10A 14V (T) )		
		3/4 H.P. 125-250V AC )		

10(4)A 250V(A)  $\mu$  Pending  
\*Switches with contact gap less than 3mm are marked with the symbol  $\mu$ . Switches so marked are acceptable as a power switch when used in conjunction with a line plug, or a main disconnect switch with contact gaps greater than 3mm.

MATERIALS:  
Button - Nylon 94V-2 Custom colors are available; consult factory. Black is std.  
Housing - Nylon, 94V-2 Custom colors are available; consult factory. Black is std.  
Terminal & Moving Contact - Copper alloy, and/or copper alloy silver plated.  
TERMINAL SHAPE - Standard .187 as shown, or optional .110 tab. Conforms to NEMA OC2-1982 and UL 310, for quick connect terminals.

Some mating receptacle connectors are:

Manufacturer	Non-Insulated	Insulated
Etco	07446	PD165EHB
Thomas & Betts	BD 203	RBD20377
AMP	62271-1	BN187

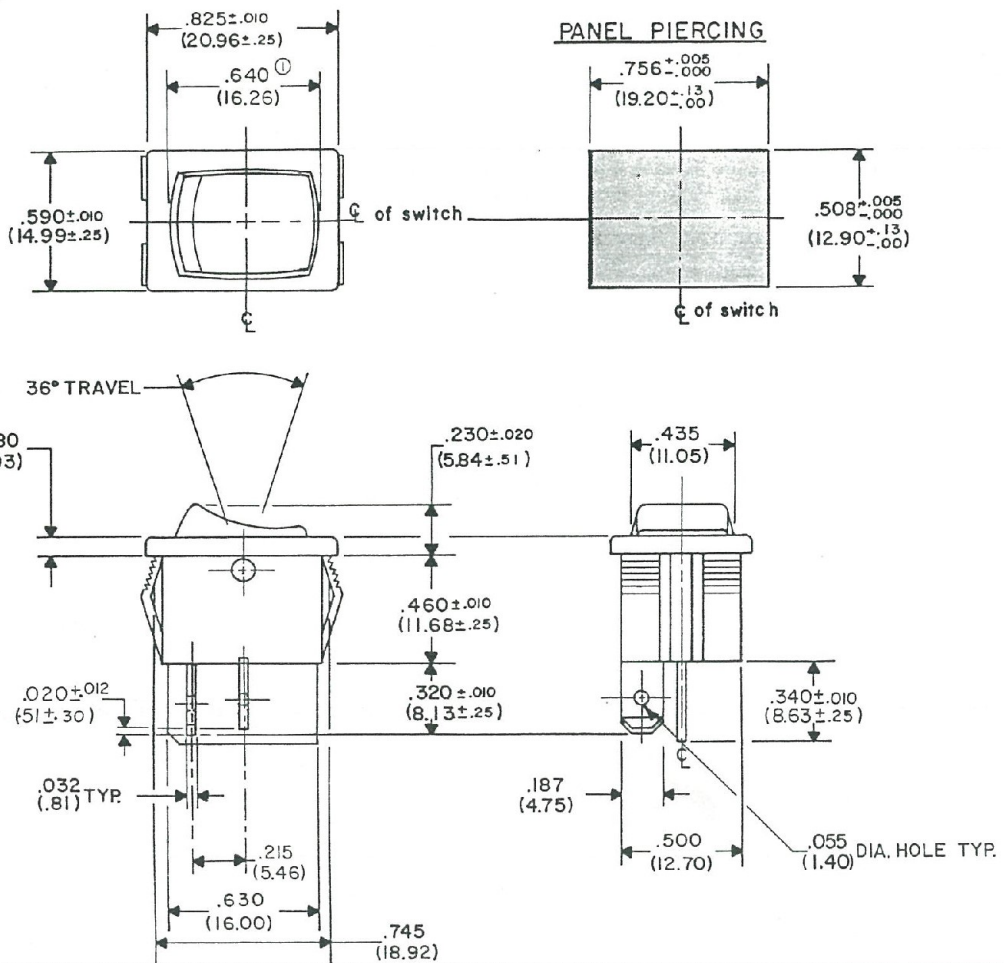
Manufacturer	.110 TAB	PD60EHB
Etco	07231	RB14-110F
Thomas & Betts	B14-110F	2-520307-2
AMP	60601-1	

MOUNTING:  
Mount into a panel cut out as shown. Panel Thickness Range is from .050" (1.27mm) to .150" (3.8mm). CAUTION Burr Direction Must Be Away from the Direction of Insertion...

OPERATIONAL STANDARDS:

<u>Endurance</u>	: 100,000 cycles, no load, minimum 25,000 cycles at rated load min.
<u>Temperature</u>	: 65°C Maximum
<u>High Voltage</u>	: 2,500 Volts, 60 Hz for one minute between mounting surface and circuit connections.
<u>Contact Resistance</u>	: Less than .01 ohm at 10 MA (Initial)
<u>Relative Humidity</u>	: Insulation Resistance greater than 10 Megohms after 100 hour soak in 95% R.H. at 50°C followed by 1 hour dry at room ambient.

AVAILABLE OPTIONS - Switches can be supplied with Hot Stamp "ON", "OFF" etc. on Rocker Face or Housing Bezel. Barriers between terminals of a pole are optional (no barriers are standard.) Barrier between poles is standard. Solder lug terminals with .187 tab are also available. Please specify if required.



REVISIONS

REV	DATE	DESCRIPTION
0	12-22-80	RELEASED
1	12-22-80	E.C.J. 12-22-80
2	12-22-80	EC 2 2
3	12-22-80	640 WAS 630.
4	12-22-80	SPR 417 - RPR 1 2 1993

**ATTENTION**  
THIS DRAWING AND ITS ATTACHMENTS, IF ANY, ARE PROPRIETARY TO CW INDUSTRIES AND DESCRIBE DESIGNS THAT ARE CONFIDENTIAL AND MUST NOT BE DISCLOSED UNLESS AUTHORIZED, IN WRITING, BY AN OFFICER OF CW INDUSTRIES.....



**CW INDUSTRIES**  
Southampton, Pa. 18966

TOLERANCES UNLESS OTHERWISE SPECIFIED

2 Place decimal ± .010	METRIC
3 Place decimal ± .005	1 Place dec. ± .25MM
Angles . . . . . ± 1'	2 Place dec. ± .13MM

Made for C.W. INDUSTRIES  
 Drawn by LIS JACKSON 12-22-87  
 Checker E.A.B. 12-22-87  
 Eng. app. S.P.Z. 12-22-87

**ROCKER SWIDGET ASSEMBLY**  
(POP IN)  
SR - S.T.

Division SWITCH  
 Drawing Number **GRS - 401IC**