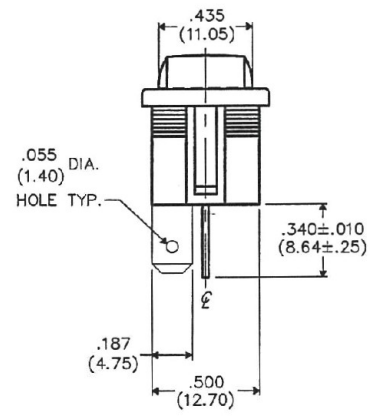
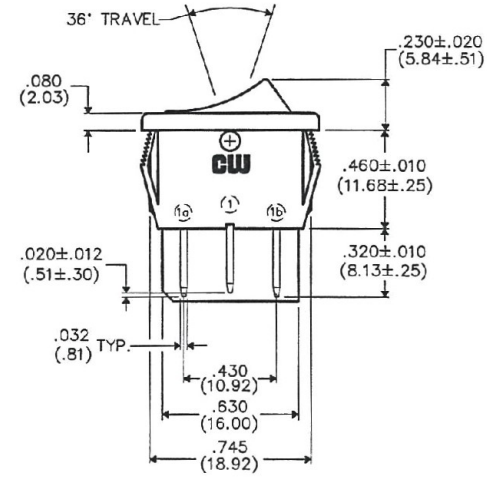
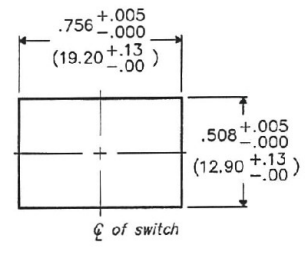
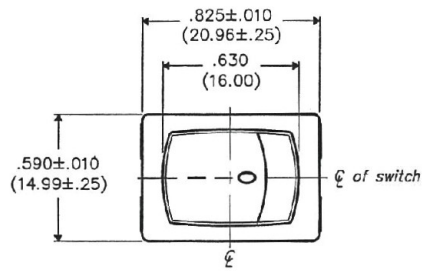


THIS INFORMATION IS CONFIDENTIAL AND PROPRIETARY TO CW INDUSTRIES INCORPORATED AND ITS AFFILIATES. IT MAY NOT BE DISCLOSED TO ANYONE OTHER THAN CW INDUSTRIES PERSONNEL, WITHOUT WRITTEN AUTHORIZATION FROM CW INDUSTRIES INCORPORATED, SOUTHAMPTON, PENNSYLVANIA USA.

DIMENSIONS IN INCHES (MILLIMETERS)  
DO NOT SCALE DRAWING .....

Dwg. No.  
**GRS-4012-0066**

**PANEL PIERCING**



**BUTTON COLOR - Red**  
**HOUSING COLOR - Black**  
**LEGEND COLOR - White**

**SWITCH RATINGS:**  
**UL & CSA**  
13A. 125VAC 10A. 250VAC  
1/2 H.P. 125-250 VAC 5A. 14V (T)

1 2 3 4 5 6 7 8 9 10

B-FORMAT 2002  
**REVISIONS**  
RELEASED: DGW 7-03-13  
JUL 19 2013



**CW INDUSTRIES**  
Southampton, Pa. 18966

TOLERANCES UNLESS OTHERWISE SPECIFIED:	
2 Place Decimal ±.010	METRIC
3 Place Decimal ±.005	1 Place Dec. ±.25mm
Angles ..... ±1°	2 Place Dec. ±.13mm

Made for: CW IND.  
Drawn by: DGW 7-03-13  
Checked by: G. Gold 7-9-13  
Approval: G. Gold 7-9-13

Title: **ROCKER SWIDGET ASSEMBLY (POP-IN) S.P.- D.T.**

Division: **SWITCH**

Dwg. No. **GRS-4012-0066**