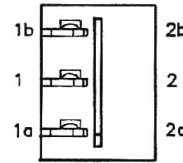
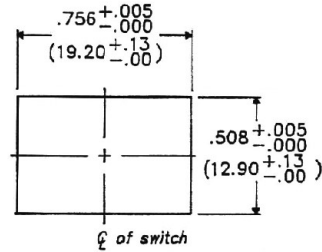
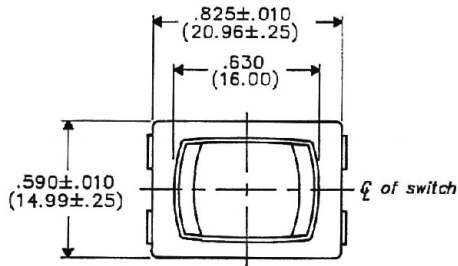


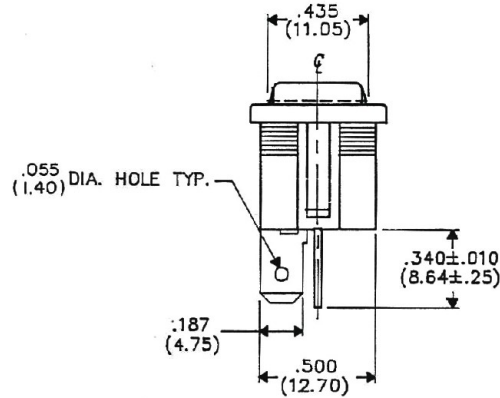
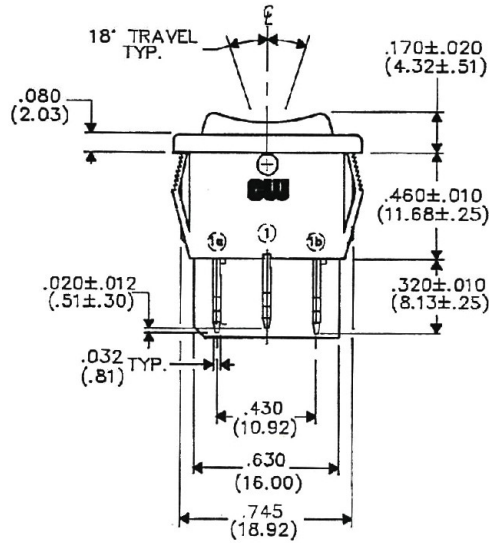
DIMENSIONS IN INCHES (MILLIMETERS)  
DO NOT SCALE DRAWING....

Drawing No.  
**GRS-4013A-0000**



**PANEL PIERCING**

**BOTTOM VIEW**



B-FORM-0  
**REVISIONS**  
0  
RELEASED SPR 3-10-92  
GSK

**ATTENTION**  
THIS DRAWING AND ITS ATTACHMENTS, IF ANY, ARE PROPRIETARY TO CW INDUSTRIES AND DESCRIBE DESIGNS THAT ARE CONFIDENTIAL AND MUST NOT BE DISCLOSED UNLESS AUTHORIZED, IN WRITING, BY AN OFFICER OF CW INDUSTRIES.....



**CW INDUSTRIES**  
Southampton, Pa. 18966  
TOLERANCES UNLESS OTHERWISE SPECIFIED  
2 Place decimal ±0.010 METRIC  
3 Place decimal ±0.005 1 Place dec. ±.25 MM  
Angles . . . . . ±1° 2 Place dec. ±.13 MM  
Made for: CW IND.  
Drawn by: SPR 3-10-92  
Checked by: G. GULD 3/11/92  
Approval: GSK 3-11-92

Title  
**ASSEMBLY  
ROCKER SWIDGET  
S.P. - CENTER OFF  
(ON-OFF-ON)**  
Division  
**SWITCH**  
Drawing No.  
**GRS-4013A-0000**