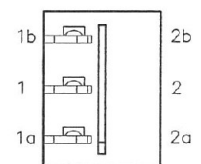
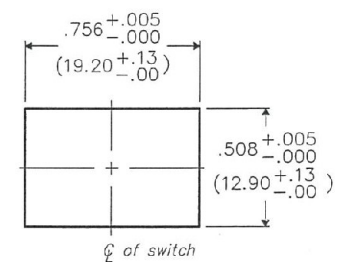
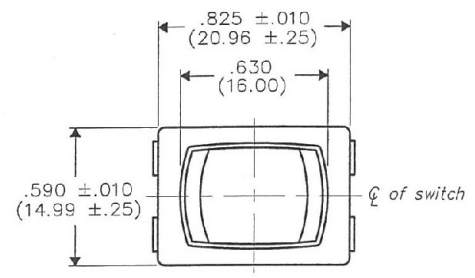


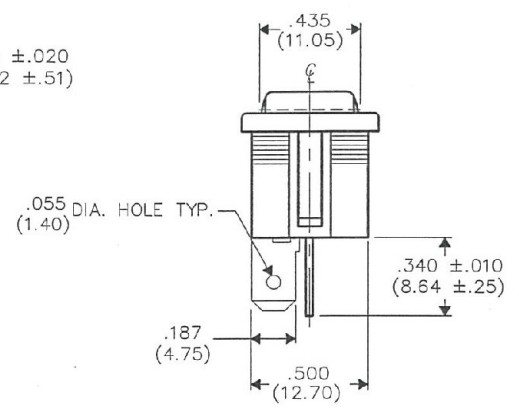
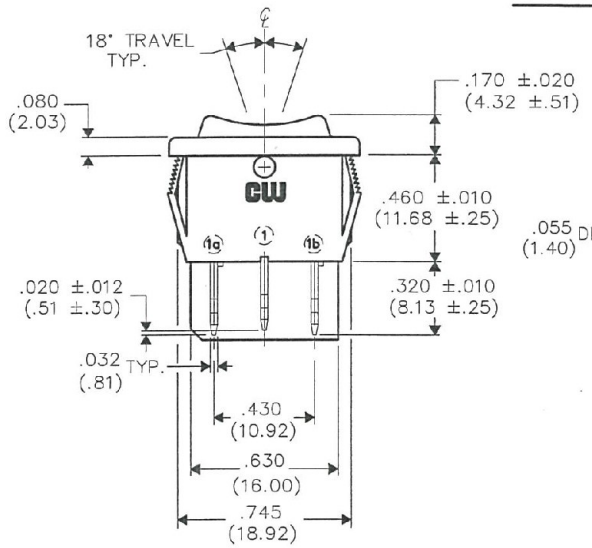
THIS INFORMATION IS CONFIDENTIAL AND PROPRIETARY TO CW INDUSTRIES INCORPORATED AND ITS AFFILIATES. IT MAY NOT BE DISCLOSED TO ANYONE OTHER THAN CW INDUSTRIES PERSONNEL, WITHOUT WRITTEN AUTHORIZATION FROM CW INDUSTRIES INCORPORATED, SOUTHAMPTON, PENNSYLVANIA USA.

DIMENSIONS IN INCHES (MILLIMETERS)
 DO NOT SCALE DRAWING
 Dwg. No. **GRS-4013A-0008**



PANEL PIERCING

BOTTOM VIEW



UL & CSA LISTED:

13A 125VAC 10A 250VAC
 1/2 H.P. 125-250VAC 5A 14V(T)

MATERIALS:

BUTTON - NYLON 6/6 94V-2 COLOR, RED
 HOUSING - NYLON 6/6 94V-2 COLOR, BLACK
 TERMINAL & MOVING CONTACT - COPPER ALLOY

1	2	3	4	5	6	7	8	9	10
---	---	---	---	---	---	---	---	---	----

B-FORMAT 2002 REVISIONS 0 RELEASED. DGW 10-06-94 OCT. 7, 1994 1 REDRAWN. UPDATED WITH NEW FORMAT. DGW 2-25-2013 FEB 26 2013	
---	--



PDF MADE	cw INDUSTRIES Southampton, Pa. 18966	Title: ASSEMBLY
	<small>TOLERANCES UNLESS OTHERWISE SPECIFIED</small>	ROCKER SWIDGET
	2 Place Decimal ±.010 METRIC	S.P.- CENTER OFF
	3 Place Decimal ±.005 METRIC	(ON-OFF-ON)
	Angles ±1° 2 Place Dec. ±.13mm	
Made for: CW IND.	Division: SWITCH	
Drawn by: DGW 10-06-94	Dwg. No. GRS-4013A-0008	
Checked by: <i>B. Gold 2-26-13</i>		
Approval: <i>C. Kern 2/24/13</i>		