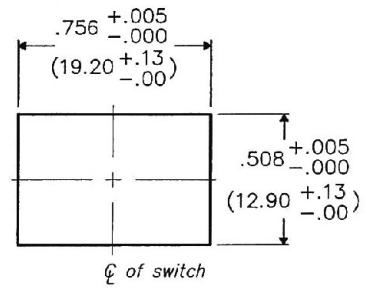
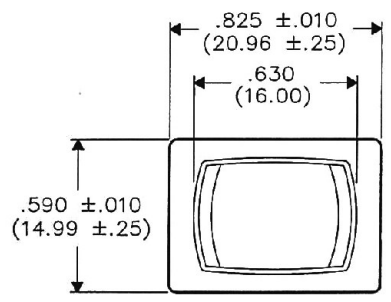


F
D
C
B
A

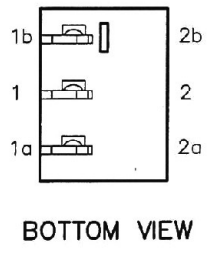
THIS INFORMATION IS CONFIDENTIAL AND PROPRIETARY TO CW INDUSTRIES INCORPORATED AND ITS AFFILIATES. IT MAY NOT BE DISCLOSED TO ANYONE OTHER THAN CW INDUSTRIES PERSONNEL WITHOUT WRITTEN AUTHORIZATION FROM CW INDUSTRIES INCORPORATED, SOUTHAMPTON, PENNSYLVANIA, USA.

DIMENSIONS IN INCHES (MILLIMETERS)
DO NOT SCALE DRAWING

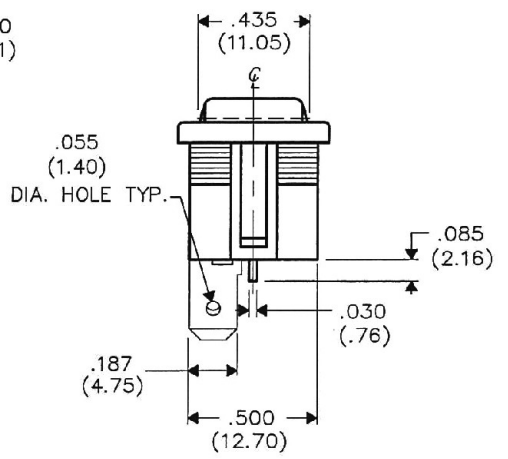
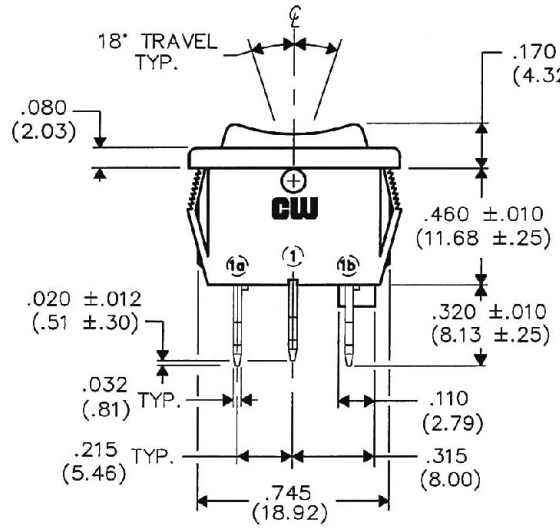
Dwg. No.
GRS-4013A-0023



PANEL PIERCING



BOTTOM VIEW



1 2 3 4 5 6 7 8 9 10

B-FORMAT 2002
REVISIONS
O
RELEASED 6-29-2012
DGM
6/15/12 JUN 29 2012



CW INDUSTRIES
Southampton, Pa. 18966

Title: **MINI ROCKER SWITCH ASSEMBLY S.P.- CENTER OFF (ON-OFF-ON)**

TOLERANCES UNLESS OTHERWISE SPECIFIED	
2 Place Decimal ±.010	METRIC
3 Place Decimal ±.005	1 Place Dec. ±.25mm
Angles ±1°	2 Place Dec. ±.13mm

Made for: CW IND.
Drawn by: DGM 6-29-2012
Checked by: G. Guld 6-29-12
Approval: C. Hannon 6/15/12

Division: **SWITCH**
Dwg. No. **GRS-4013A-0023**

PDF FILE