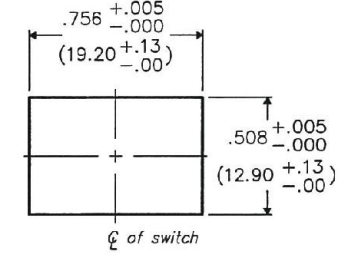
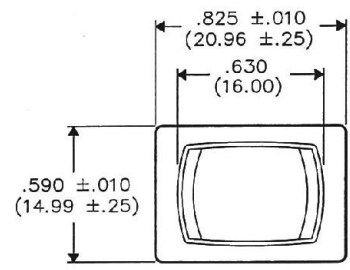


F
 D
 C
 B
 A

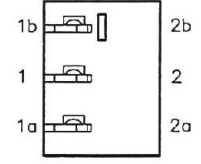
THIS INFORMATION IS CONFIDENTIAL AND PROPRIETARY TO CW INDUSTRIES INCORPORATED AND ITS AFFILIATES. IT MAY NOT BE DISCLOSED TO ANYONE OTHER THAN CW INDUSTRIES PERSONNEL, WITHOUT WRITTEN AUTHORIZATION FROM CW INDUSTRIES INCORPORATED, SOUTHAMPTON, PENNSYLVANIA USA.

DIMENSIONS IN INCHES (MILLIMETERS)
DO NOT SCALE DRAWING

Dwg. No.
GRS-4013C-0007



PANEL PIERCING



BOTTOM VIEW

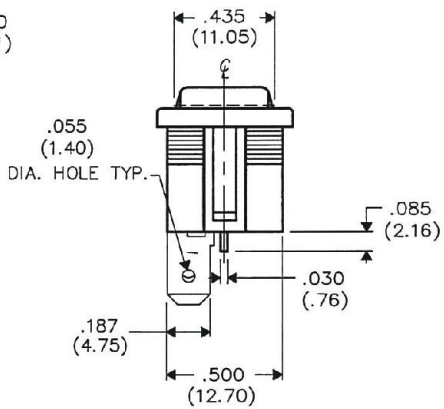
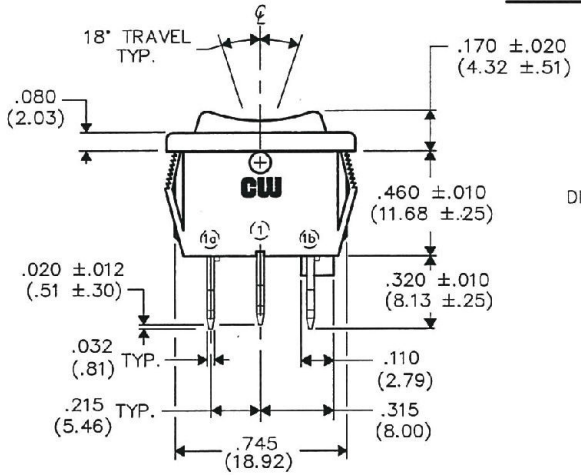
SWITCH COLOR:

Button Color - BLACK
Housing Color - BLACK

ELECTRICAL RATINGS:

8A 125VAC
4A 250VAC
3A 277VAC

UL & CSA LISTED:



1 2 3 4 5 6 7 8 9 10

B-FORMAT 2002
REVISIONS
 0
 RELEASED: 10-08-13
 DGW
 OCT 09 2013



CW INDUSTRIES
Southampton, Pa. 18966

TOLERANCES UNLESS OTHERWISE SPECIFIED	
2 Place Decimal ±.010	METRIC
3 Place Decimal ±.005	1 Place Dec. ±.25mm
Angles ±1°	2 Place Dec. ±.13mm

Made for: CW IND.
 Drawn by: DGW 10-08-13
 Checked by: G. Guld 10-9-13
 Approval: G. Guld 10-9-13

Title: **ASSEMBLY**
ROCKER SWIDGET
S.P.- CENTER OFF
(MOM.-OFF-MOM.)

Division: **SWITCH**

Dwg. No.
GRS-4013C-0007