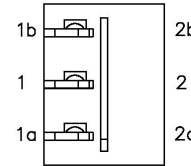
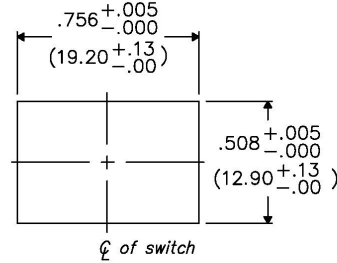
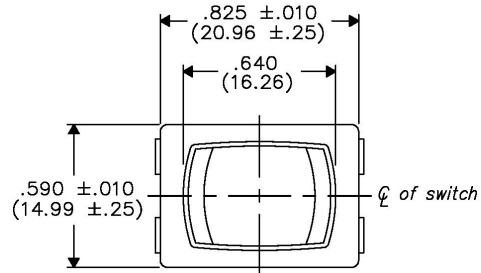


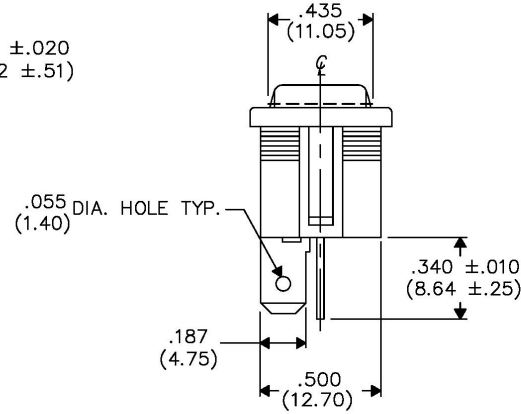
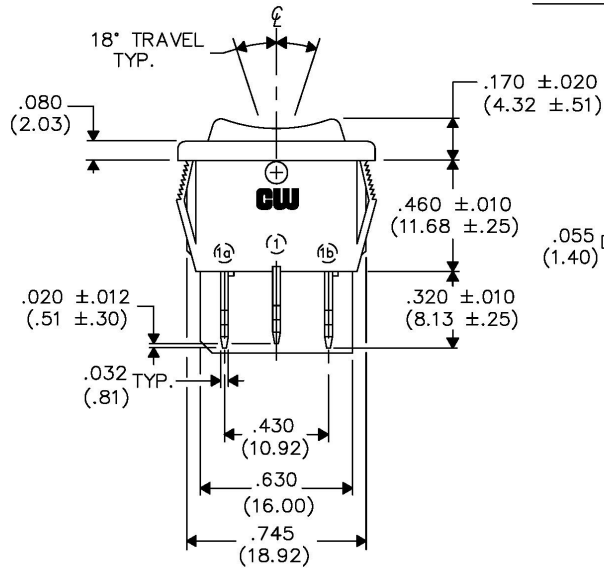
DIMENSIONS IN INCHES (MILLIMETERS)
DO NOT SCALE DRAWING

Dwg. No.
GRS-4013C-1300



PANEL PIERCING

BOTTOM VIEW



E
D
C
B
A

1 2 3 4 5 6 7 8 9 10

FORM-B4

REVISIONS

0	RELEASED.	1-25-2002	DGW
		1-25-2002	CH

ATTENTION
THIS DRAWING AND ITS ATTACHMENTS, IF ANY, ARE PROPRIETARY TO CW INDUSTRIES AND DESCRIBE DESIGNS THAT ARE CONFIDENTIAL AND MUST NOT BE DISCLOSED UNLESS AUTHORIZED, IN WRITING, BY AN OFFICER OF CW INDUSTRIES.....



PDF File Made (QRO)

CW INDUSTRIES Southampton, Pa. 18966	
TOLERANCES UNLESS OTHERWISE SPECIFIED	
2 Place Decimal ±.010	METRIC
3 Place Decimal ±.005	1 Place Dec. ±.25mm
Angles ±1°	2 Place Dec. ±.13mm
Made for: CW IND.	Division: SWITCH
Drawn by: DGW 1-25-2002	Dwg. No. GRS-4013C-1300
Checked by: CH	
Approval: CH 1-25-2002	

Title: ASSEMBLY
ROCKER SWIDGET
S.P.- CENTER OFF
(MOM.-OFF-MOM.)