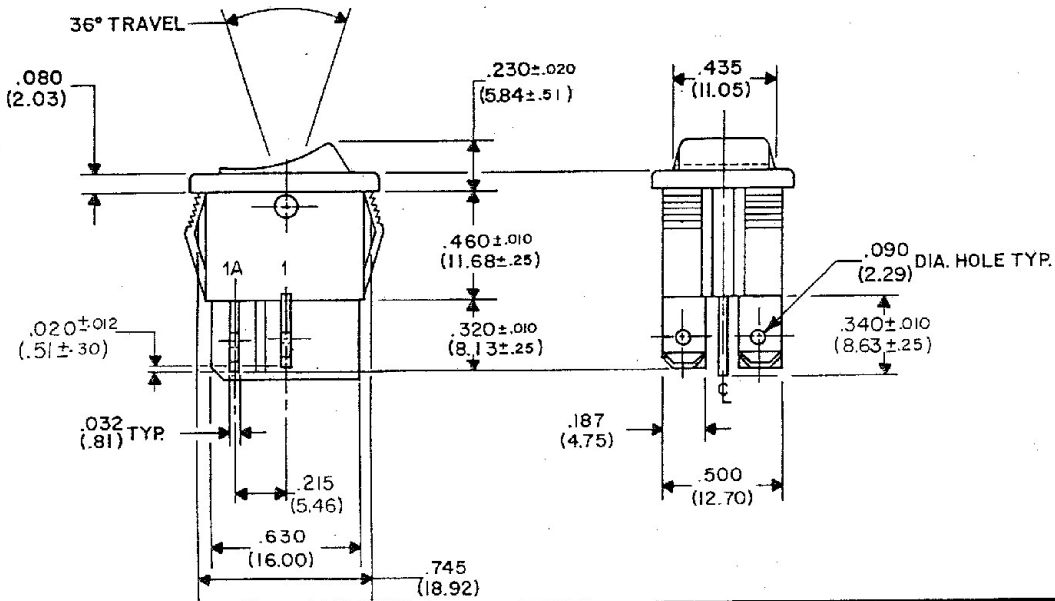
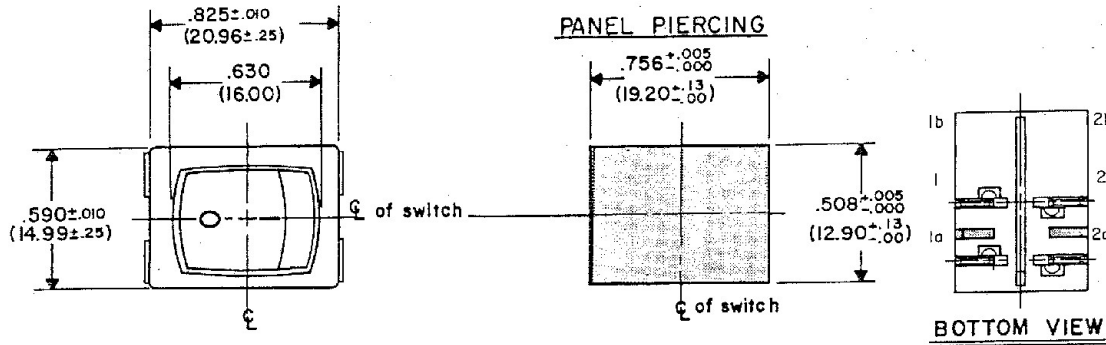


DIMENSIONS IN INCHES (METRIC-MILLIMETERS)
DO NOT SCALE DRAWING..

Drawing Number
GRS-4021-0004



REVISIONS

RELEASED
E.C.J.B-14-87



CW INDUSTRIES
Southampton, Pa. 18966

**ROCKER SWIDGET
ASSEMBLY**
(POP IN)
D.P.-S.T.

TOLERANCES UNLESS OTHERWISE SPECIFIED
2 Place decimal ± .010 METRIC
3 Place decimal ± .005 1 Place dec. ± .25MM
Angles ± 1° 2 Place dec. ± .13MM

Made for C.W. INDUSTRIES
Drawn by LIS JACKSON 8-14-87
Checker J.R. S.J. 1/87
Eng. app. J.R. S.J. 1/87

Division SWITCH
Drawing Number
GRS-4021-0004

PDF File Made