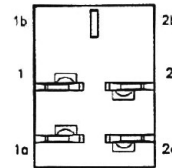
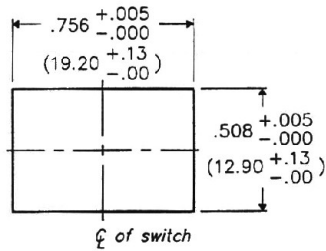
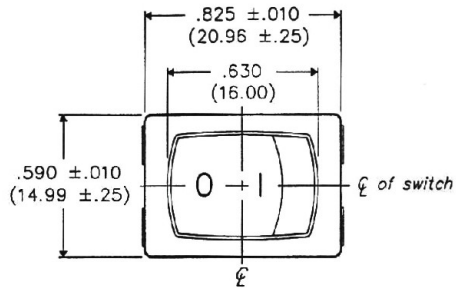


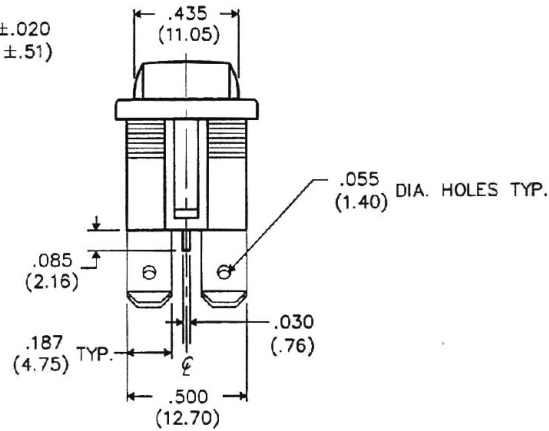
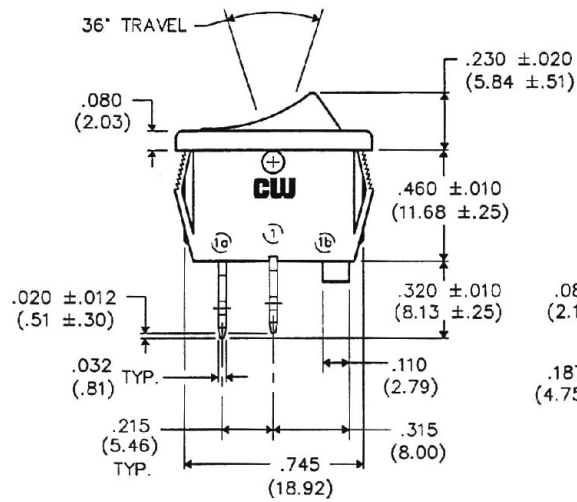
DIMENSIONS IN INCHES (MILLIMETERS)  
DO NOT SCALE DRAWING .....

Dwg. No.  
**GRS-4021-0032**

**PANEL PIERCING**



**BOTTOM VIEW**



**ATTENTION**  
THIS DRAWING AND ITS ATTACHMENTS, IF ANY, ARE PROPRIETARY TO CW INDUSTRIES AND DESCRIBE DESIGNS THAT ARE CONFIDENTIAL AND MUST NOT BE DISCLOSED UNLESS AUTHORIZED, IN WRITING, BY AN OFFICER OF CW INDUSTRIES.....

1	2	3	4	5	6	7	8	9	10
---	---	---	---	---	---	---	---	---	----

FORM-B3

**REVISIONS**

0	RELEASED DGW 3-12-2002 MAR 13 2002
---	--



<b>CW INDUSTRIES</b> Southampton, Pa. 18966	
TOLERANCES UNLESS OTHERWISE SPECIFIED	
2 Place Decimal ±.010	METRIC
3 Place Decimal ±.005	1 Place Dec. ±.25mm
Angles ..... ±'	2 Place Dec: ±.13mm
Made for: CW IND.	
Drawn by: DGW 3-12-2002	
Checked by: G. Guld 3-13-02	
Approval: <i>[Signature]</i> 3-13-02	

Title: <b>MINI-ROCKER ASSEMBLY</b> NO BARR. (POP IN) D.P.- S.T.
Division: <b>SWITCH</b>
Dwg. No. <b>GRS-4021-0032</b>