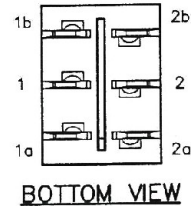
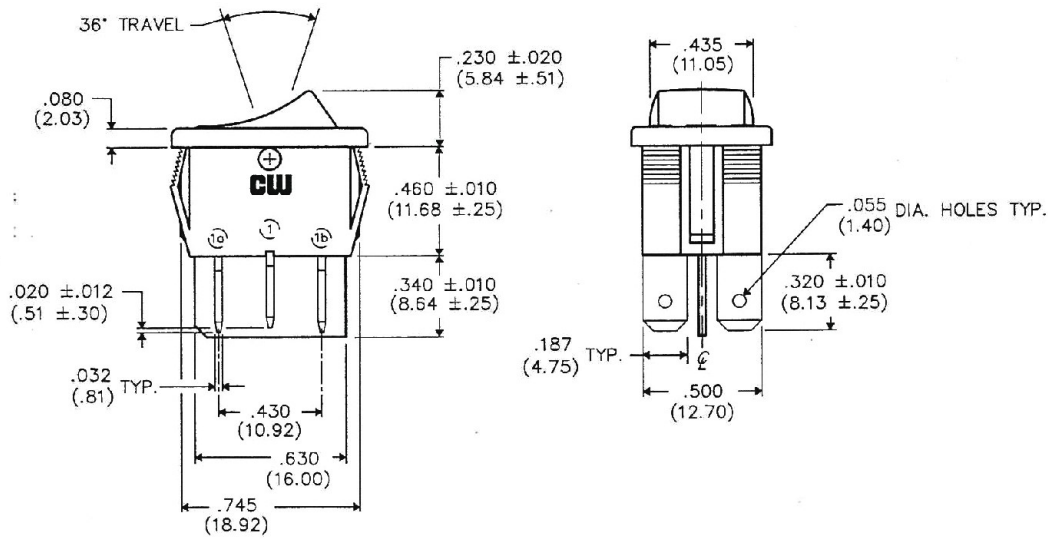
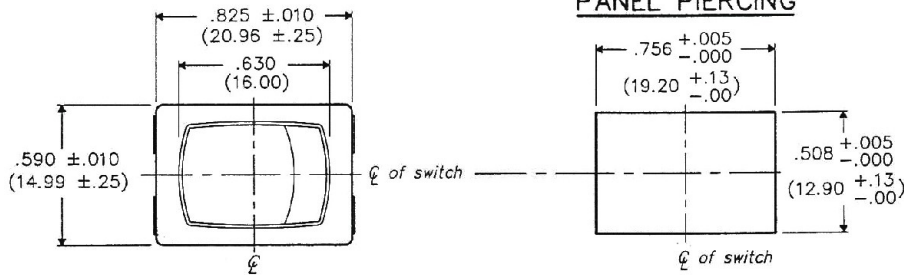


DIMENSIONS IN INCHES (MILLIMETERS)  
DO NOT SCALE DRAWING .....

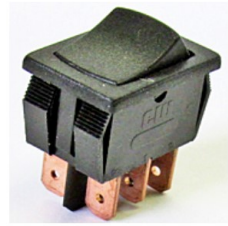
Dwg. No.  
**GRS-4022-0000**

**PANEL PIERCING**



**ATTENTION**  
 THIS DRAWING AND ITS ATTACHMENTS, IF ANY, ARE PROPRIETARY TO CW INDUSTRIES AND DESCRIBE DESIGNS THAT ARE CONFIDENTIAL AND MUST NOT BE DISCLOSED UNLESS AUTHORIZED, IN WRITING, BY AN OFFICER OF CW INDUSTRIES.....

FORM-B4	REVISIONS	0	1	2	3	4	5	6	7	8	9	10	
		RELEASED: 3-20-2007											
		DGW											
		MAY 25 2007											



<p><b>CW INDUSTRIES</b>          Southampton, Pa. 18966</p>	<p>TOLERANCES UNLESS OTHERWISE SPECIFIED</p> <table border="0"> <tr> <td>2 Place Decimal ±.010</td> <td>METRIC</td> </tr> <tr> <td>3 Place Decimal ±.005</td> <td>1 Place Dec. ±.25mm</td> </tr> <tr> <td>Angles ..... ±1°</td> <td>2 Place Dec. ±.13mm</td> </tr> </table>	2 Place Decimal ±.010	METRIC	3 Place Decimal ±.005	1 Place Dec. ±.25mm	Angles ..... ±1°	2 Place Dec. ±.13mm	<p>Title: <b>ROCKER SWIDGET ASSEMBLY (POP IN) D.P. - D.T.</b></p>
	2 Place Decimal ±.010	METRIC						
	3 Place Decimal ±.005	1 Place Dec. ±.25mm						
	Angles ..... ±1°	2 Place Dec. ±.13mm						
<p>Drawn by: DGW 3-20-2007</p>	<p>Division: <b>SWITCH</b></p>							
<p>Checked by: <i>G. Guld 3-20-07</i></p>	<p>Dwg. No. <b>GRS-4022-0000</b></p>							
<p>Approval:</p>								