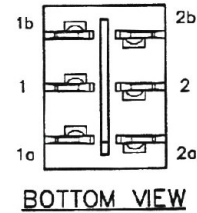
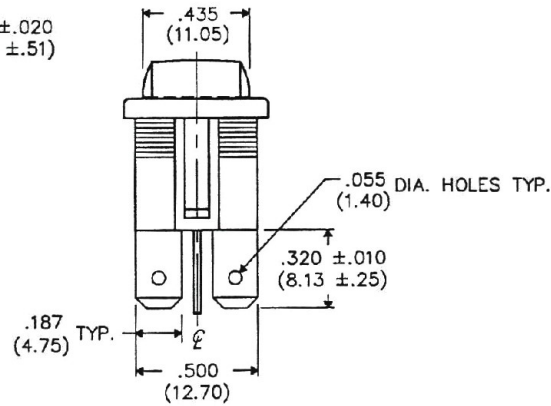
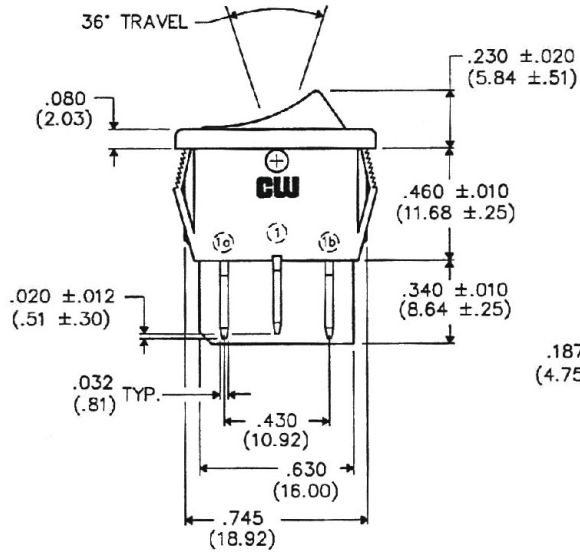
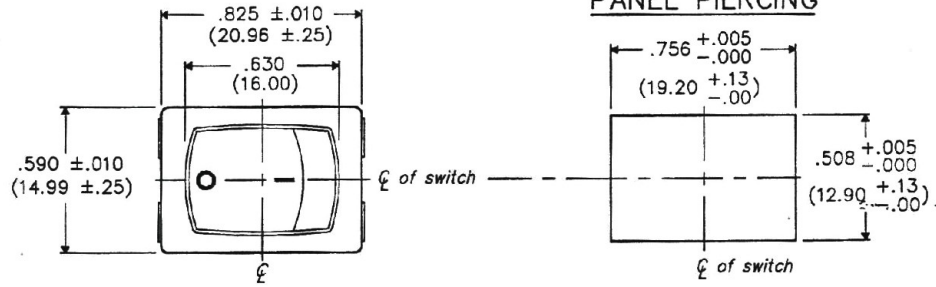


DIMENSIONS IN INCHES (MILLIMETERS)  
DO NOT SCALE DRAWING .....

Dwg. No.  
GRS-4022-0013

PANEL PIERCING



BOTTOM VIEW

**ATTENTION**  
THIS DRAWING AND ITS ATTACHMENTS, IF ANY, ARE PROPRIETARY TO CW INDUSTRIES AND DESCRIBE DESIGNS THAT ARE CONFIDENTIAL AND MUST NOT BE DISCLOSED UNLESS AUTHORIZED, IN WRITING, BY AN OFFICER OF CW INDUSTRIES.....

FORM-B  
REVISED  
RELEASED  
DWG. P-05-94  
AUG 18 1994



**cw INDUSTRIES**  
Southampton, Pa. 18966

Title: **ROCKER SWITCH ASSEMBLY (POP IN) D.P. - D.T.**

TOLERANCES UNLESS OTHERWISE SPECIFIED  
2 Place decimal ±.010 METRIC  
3 Place decimal ±.005 1 Piece dec. ±.25mm  
Angles ..... ± 1' 2 Piece dec. ±.13mm

Made for: CW IND.  
Drawn by: DGW 8-05-94  
Checked by: G. GULD 8-10-94  
Approval: DBK 8-10-94

Division: **SWITCH**  
Dwg. No. **GRS-4022-0013**