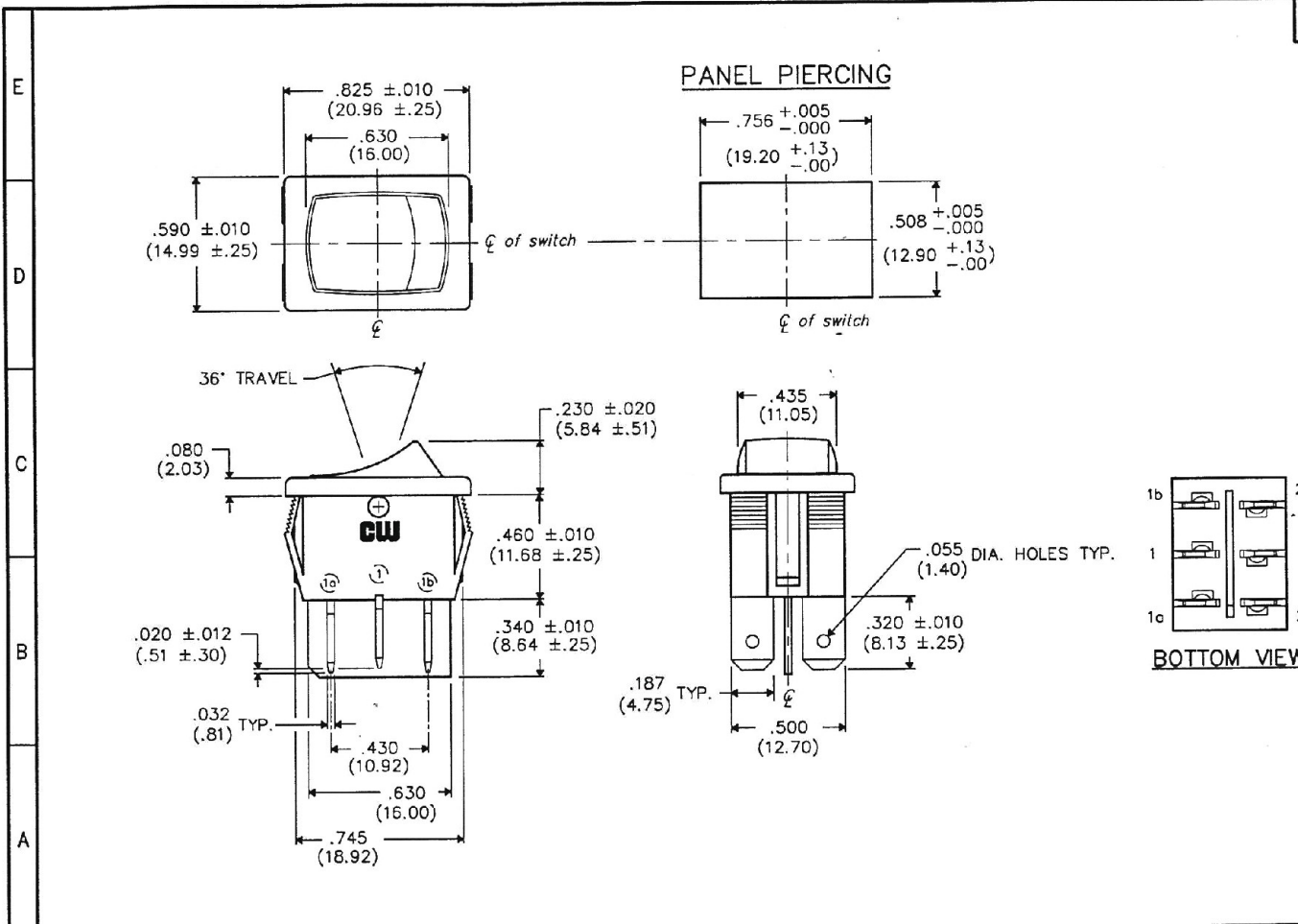


DIMENSIONS IN INCHES (MILLIMETERS)
DO NOT SCALE DRAWING

Dwg. No.
GRS-4022-1600



ATTENTION
 THIS DRAWING AND ITS ATTACHMENTS, IF ANY, ARE PROPRIETARY TO CW INDUSTRIES AND DESCRIBE DESIGNS THAT ARE CONFIDENTIAL AND MUST NOT BE DISCLOSED UNLESS AUTHORIZED, IN WRITING, BY AN OFFICER OF CW INDUSTRIES.....

FORM-B4	REVISIONS	1	2	3	4	5	6	7	8	9	10
	0										
	RELEASED. DCW 7-19-2001										



(PDF File Made)	CW INDUSTRIES Southampton, Pa. 18966	Title: ROCKER SWIDGET ASSEMBLY (POP IN) D.P.- D.T.
	TOLERANCES UNLESS OTHERWISE SPECIFIED 2 Place Decimal ±.010 . METRIC 3 Place Decimal ±.005 1 Place Dec. ±.25mm Angles ±1° 2 Place Dec. ±.13mm	Division: SWITCH
	Made for: CW IND. Drawn by: DGW 7-19-2001 Checked by: <i>G. Guld 7-24-01</i> Approved: <i>[Signature]</i> 7-27-01	Dwg. No. GRS-4022-1600