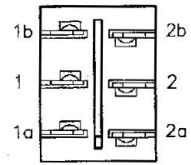
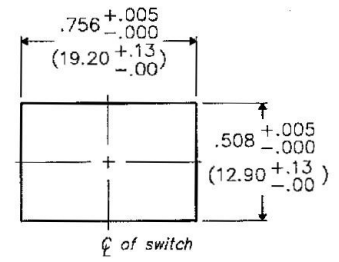
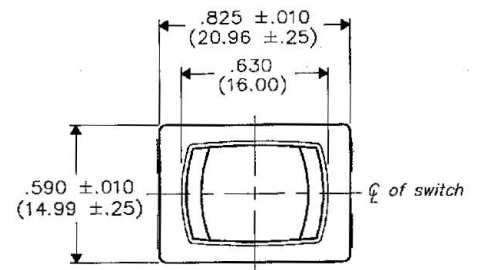


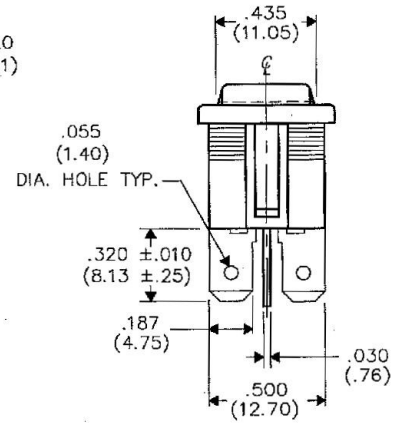
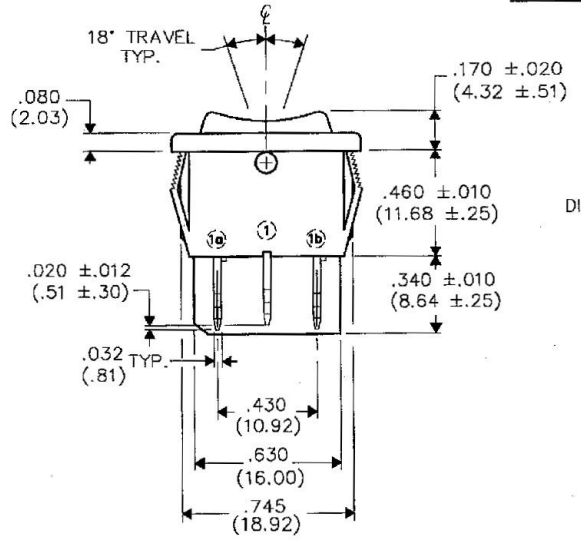
DIMENSIONS IN INCHES (MILLIMETERS)  
DO NOT SCALE DRAWING .....

Dwg. No.  
**GRS-4023A-0000**



**PANEL PIERCING**

**BOTTOM VIEW**



FORM-B  
**REVISIONS**  
0  
RELEASED  
DWG 10-14-94  
10-20-94  
10-21-94

**ATTENTION**  
THIS DRAWING AND ITS ATTACHMENTS, IF ANY, ARE PROPRIETARY TO CW INDUSTRIES AND DESCRIBE DESIGNS THAT ARE CONFIDENTIAL AND MUST NOT BE DISCLOSED UNLESS AUTHORIZED, IN WRITING, BY AN OFFICER OF CW INDUSTRIES.....



(PDF File Made)  
D. No.: SAS0223A

**CW INDUSTRIES**  
Southampton, Pa. 18966

TOLERANCES UNLESS OTHERWISE SPECIFIED  
2 Place decimal ±.010 METRIC  
3 Place decimal ±.005 1 Place dec. ±.25mm  
Angles ..... ± 1° 2 Place dec. ±.13mm

Made for: CW IND.  
Drawn by: DGW 10-14-94  
Checked by: G. Guld 10-20-94  
Approval: A. Hosfeld 10-20-94

Title: **ASSEMBLY  
ROCKER SWITCH  
D.P. - CENTER OFF  
(ON - OFF - ON)**

Division: **SWITCH**  
Dwg. No.: **GRS-4023A-0000**