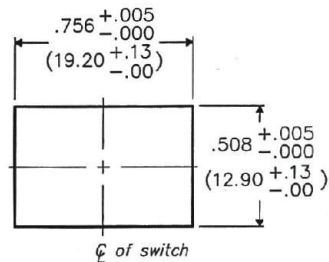
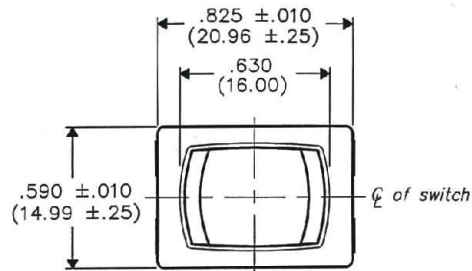
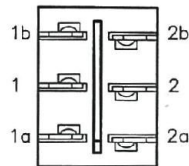


DIMENSIONS IN INCHES (MILLIMETERS)
DO NOT SCALE DRAWING

Dwg. No.
GRS-4023A-1300



PANEL PIERCING



BOTTOM VIEW

MATERIAL:

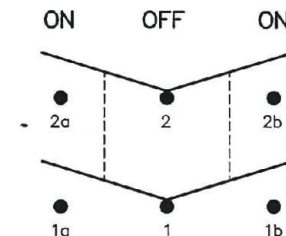
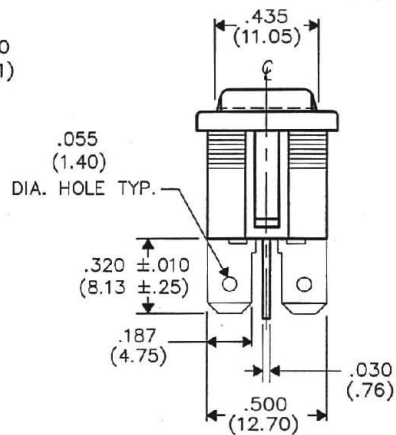
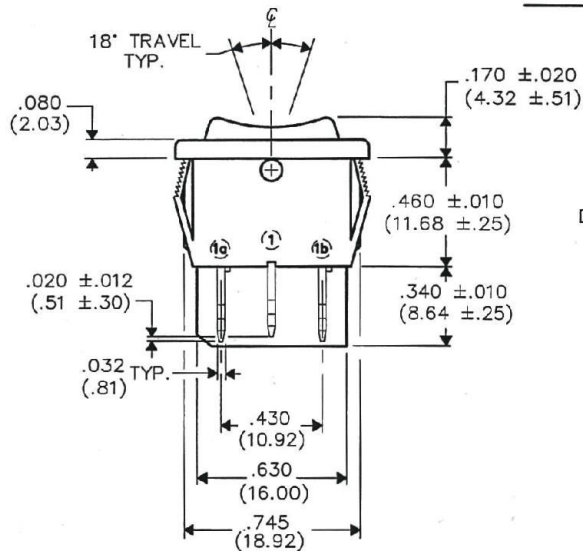
ROCKER KNOB- Nylon 6/6, Color - Black

HOUSING- Nylon 6/6, Color - Black

ELECTRICAL RATING-

13A 125VAC 5A 14V T
10A 250VAC 1/2 H.P. 125-250VAC

LISTING AGENCIES-



REVISIONS	0	RELEASED DGW 9-15-94 SEP 16, 1994
	1	REMOVED EUREKA P/N-(38348-2) DGW 11-01-95 BWF 11-03-95
	2	ADDED NOTES AND SWITCH FUNCTION TO DRAWING. DGW 6-25-14 JUN 25 2014

ATTENTION
THIS DRAWING AND ITS ATTACHMENTS, IF ANY, ARE PROPRIETARY TO CW INDUSTRIES AND DESCRIBE DESIGNS THAT ARE CONFIDENTIAL AND MUST NOT BE DISCLOSED UNLESS AUTHORIZED, IN WRITING, BY AN OFFICER OF CW INDUSTRIES.....



CW INDUSTRIES
Southampton, Pa. 18968

TOLERANCES UNLESS OTHERWISE SPECIFIED
2 Place decimal ±.010 METRIC
3 Place decimal ±.005 1 Place dec. ±.25mm
Angles ± 1' 2 Place dec. ±.13mm

Made for: CW IND.
Drawn by: DGW 9-15-94
Checked by: G. GULD 6-25-14
Approval: *[Signature]*

ASSEMBLY
ROCKER SWIDGET
D.P.-CENTER OFF
ON-OFF-ON

Division: **SWITCH**
Dwg. No. **GRS-4023A-1300**