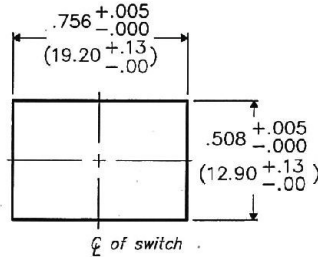
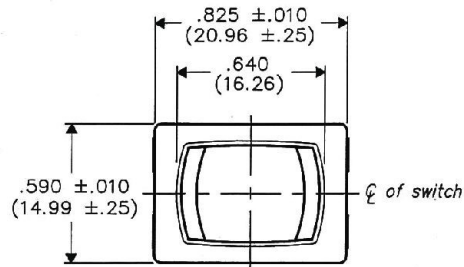
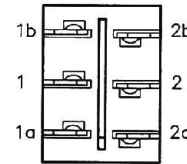


DIMENSIONS IN INCHES (MILLIMETERS)  
DO NOT SCALE DRAWING .....

Dwg. No. **GRS-4023B-0000**



**PANEL PIERCING**



**BOTTOM VIEW**

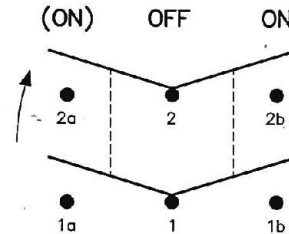
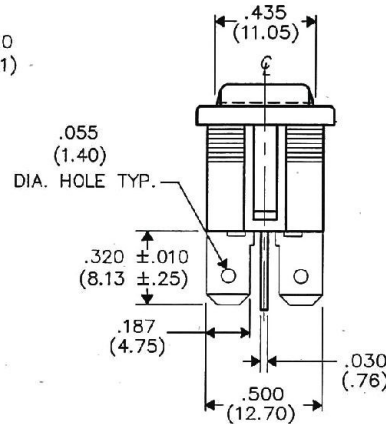
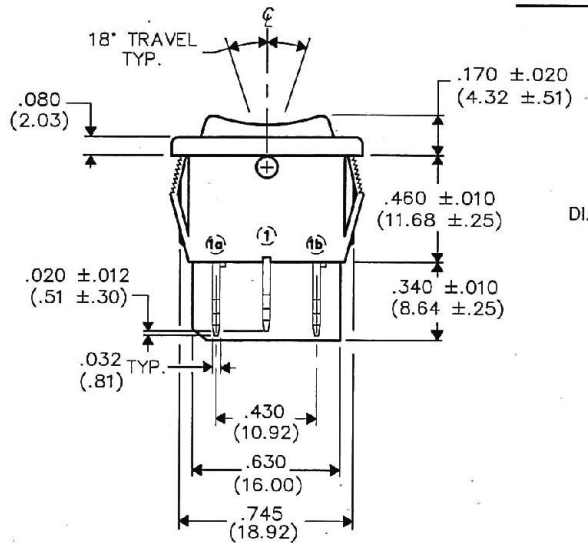
**MATERIAL:**

ROCKER KNOB- Nylon 6/6, Color - Black  
HOUSING- Nylon 6/6, Color - Black

**ELECTRICAL RATING-**

13A 125VAC 5A 14V T  
10A 250VAC 1/2 H.P. 125-250VAC

**LISTING AGENCIES-**



FORM-B4	<b>REVISIONS</b>	<b>0</b>
	RELEASED.	
	DGW 10-14-94	
	AH 10-20-94	
	ADDED NOTES AND SWITCH FUNCTION TO DRAWING.	<b>1</b>
DGW 6-25-14		
		<b>JUN 25 2014</b>

**ATTENTION**

THIS DRAWING AND ITS ATTACHMENTS, IF ANY, ARE PROPRIETARY TO CW INDUSTRIES AND DESCRIBE DESIGNS THAT ARE CONFIDENTIAL AND MUST NOT BE DISCLOSED UNLESS AUTHORIZED, IN WRITING, BY AN OFFICER OF CW INDUSTRIES.....



<b>CW INDUSTRIES</b> Southampton, Pa. 18966	
<small>TOLERANCES UNLESS OTHERWISE SPECIFIED</small>	
2 Place Decimal ±.010	METRIC
3 Place Decimal ±.005	1 Place Dec. ±.25mm
Angles ..... ±1°	2 Place Dec. ±.13mm
Made for: CW IND.	
Drawn by: DGW 10-14-94	
Checked by: <i>G. GULD 6-25-14</i>	
Approved: <i>[Signature]</i> 6/25/14	

Title: <b>ASSEMBLY ROCKER SWIDGET D.P.- CENTER OFF (MOM. ON)-OFF-ON</b>
Division: <b>SWITCH</b>
Dwg. No. <b>GRS-4023B-0000</b>