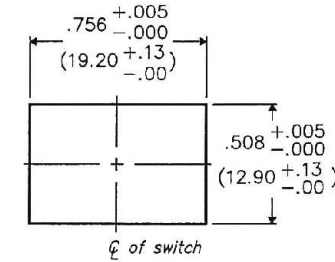
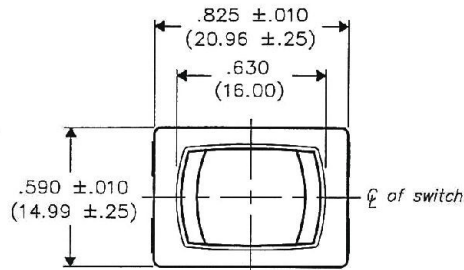


THIS INFORMATION IS CONFIDENTIAL AND PROPRIETARY TO CW INDUSTRIES INCORPORATED AND ITS AFFILIATES. IT MAY NOT BE DISCLOSED TO ANYONE OTHER THAN CW INDUSTRIES PERSONNEL, WITHOUT WRITTEN AUTHORIZATION FROM CW INDUSTRIES INCORPORATED, SOUTHAMPTON, PENNSYLVANIA USA.

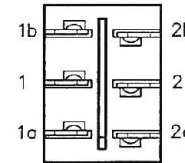
DIMENSIONS IN INCHES (MILLIMETERS)
DO NOT SCALE DRAWING

Dwg. No.

GRS-4023B-0005



PANEL PIERCING



BOTTOM VIEW

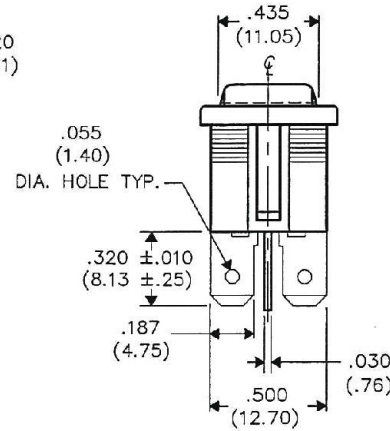
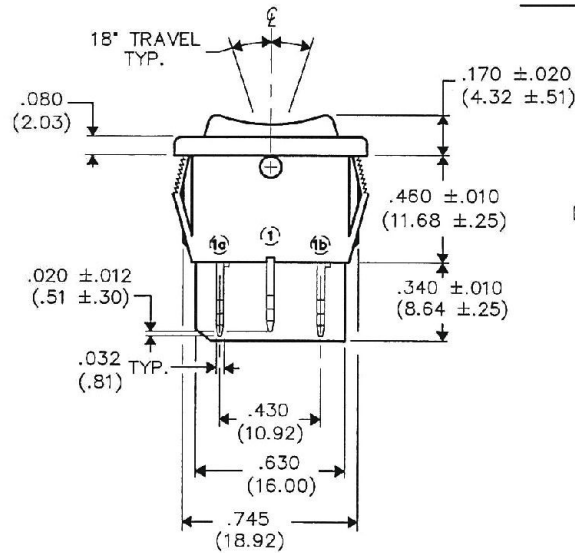
BUTTON COLOR - Red
HOUSING COLOR - Black

SWITCH RATINGS:


UL & CSA

13A. 125VAC 10A. 250VAC

1/2 H.P. 125-250VAC 5A. 14V (T)



1 2 3 4 5 6 7 8 9 10

B-FORMAT 2002	REVISIONS	0	RELEASED, DGW 7-03-13 JUL 19 2013		CW INDUSTRIES Southampton, Pa. 18966 <small>TOLERANCES UNLESS OTHERWISE SPECIFIED</small> 2 Place Decimal ±.010 METRIC 3 Place Decimal ±.005 1 Place Dec. ±.25mm Angles ±1' 2 Place Dec. ±.13mm	Title: ROCKER SWITCH ASSEMBLY D.P.- CENTER OFF (MOM.-OFF-ON)	
		Made for: CW IND.					Division: SWITCH
		Drawn by: DGW 7-03-13					Dwg. No.
		Checked by: <i>B. Guld</i> 7-10-13 Approved: <i>G. Guld</i> 7-10-13					GRS-4023B-0005