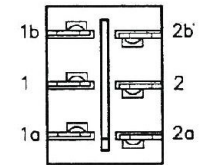
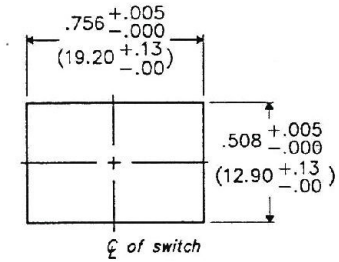
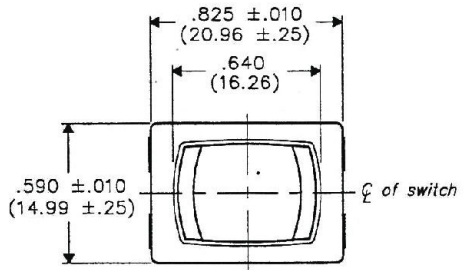


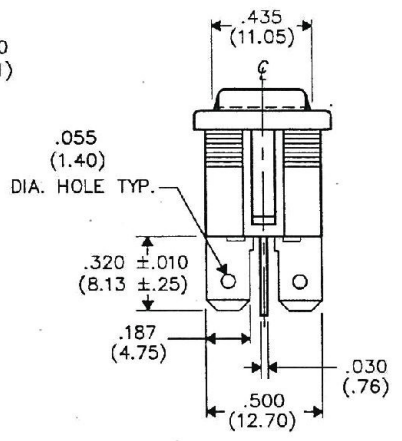
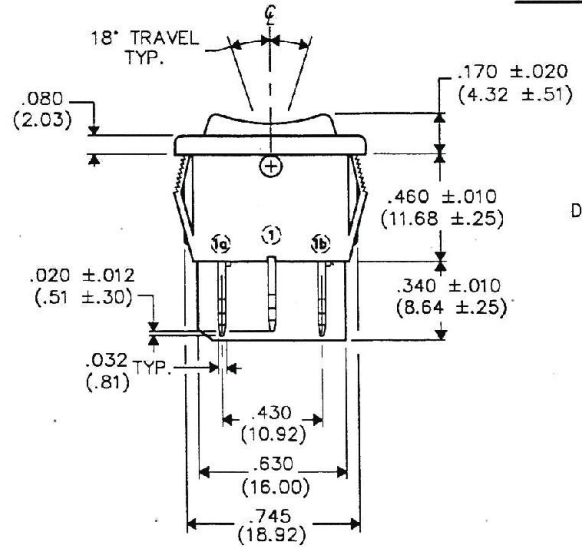
DIMENSIONS IN INCHES (MILLIMETERS)  
DO NOT SCALE DRAWING .....

Dwg. No.  
**GRS-4023C-0000**



**PANEL PIERCING**

**BOTTOM VIEW**



FORM-B  
**REVISIONS**  
0  
RELEASED  
DGW 10-14-94  
AW 10-20-94

**ATTENTION**  
THIS DRAWING AND ITS ATTACHMENTS, IF ANY, ARE PROPRIETARY TO CW INDUSTRIES AND DESCRIBE DESIGNS THAT ARE CONFIDENTIAL AND MUST NOT BE DISCLOSED UNLESS AUTHORIZED, IN WRITING, BY AN OFFICER OF CW INDUSTRIES.....



**CW INDUSTRIES**  
Southampton, Pa. 18966  
TOLERANCES UNLESS OTHERWISE SPECIFIED  
2 Place decimal ±.010 METRIC  
3 Place decimal ±.005 1 Place dec. ±.25mm  
Angles ..... ± 1° 2 Place dec. ±.13mm  
Made for: CW IND.  
Drawn by: DGW 10-14-94  
Checked by: G. GULD 10-20-94  
Approval: A. HOSFEUD 10-20-94

Title: **ASSEMBLY  
ROCKER SWIDGET  
D.P. - CENTER OFF  
(MOM. - OFF - MOM.)**  
Division: **SWITCH**  
Dwg. No.: **GRS-4023C-0000**