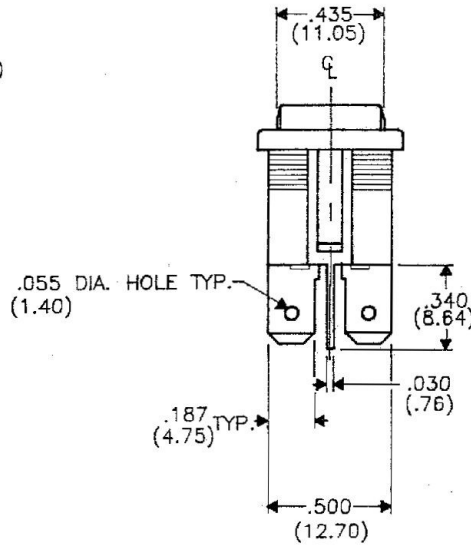
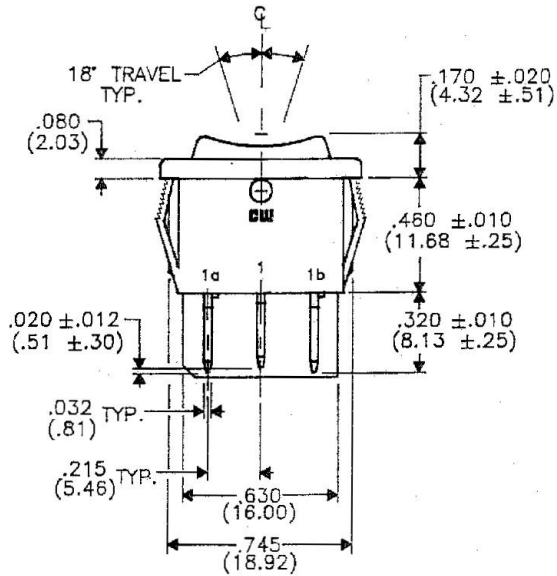
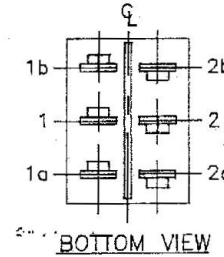
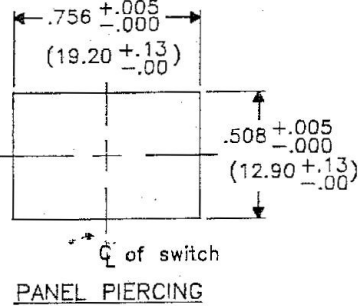
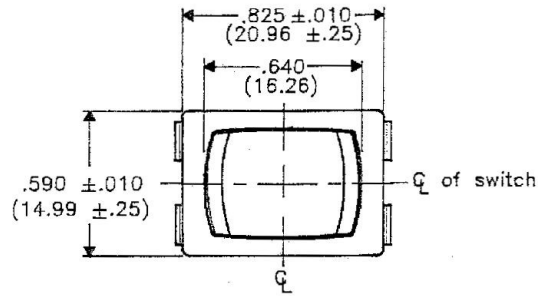


DIMENSIONS IN INCHES (MILLIMETERS)  
DO NOT SCALE DRAWING...

Drawing No.  
**GRS-4023C-0005**



B-FORM-Q  
REVISIONS  
0  
RELEASED  
DCW 5-25-94  
MAY 26 1994

**ATTENTION**  
THIS DRAWING AND ITS ATTACHMENTS, IF ANY, ARE PROPRIETARY TO CW INDUSTRIES AND DESCRIBE DESIGNS THAT ARE CONFIDENTIAL AND MUST NOT BE DISCLOSED UNLESS AUTHORIZED, IN WRITING, BY AN OFFICER OF CW INDUSTRIES.....



**CW INDUSTRIES**  
Southampton, Pa. 18966

TOLERANCES UNLESS OTHERWISE SPECIFIED  
2 Place decimal ±.010 METRIC  
3 Place decimal ±.005 1 Place dec. ±.25 MM  
Angles . . . . . ±1° 2 Place dec. ±.13 MM

Made for CW IND.  
Drawn by: DGW 5-25-94  
Checked by: G. GULLI 5-26-94  
Approval: JRSK 5-26-93

Title  
**MINI SWITCH ASSEMBLY CENTER-OFF (SNAP-IN)**

Division  
**SWITCH**

Drawing No.  
**GRS-4023C-0005**