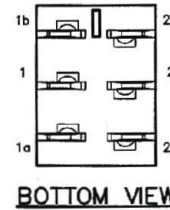
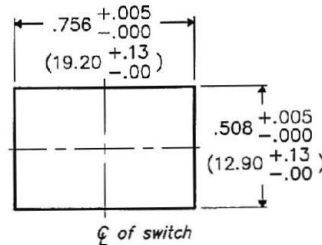
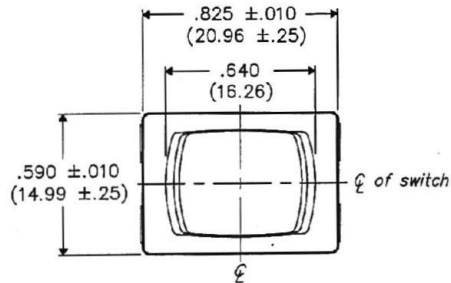


DIMENSIONS IN INCHES (MILLIMETERS)  
DO NOT SCALE DRAWING .....

Dwg. No.  
**GRS-4023C-0009**

**PANEL PIERCING**



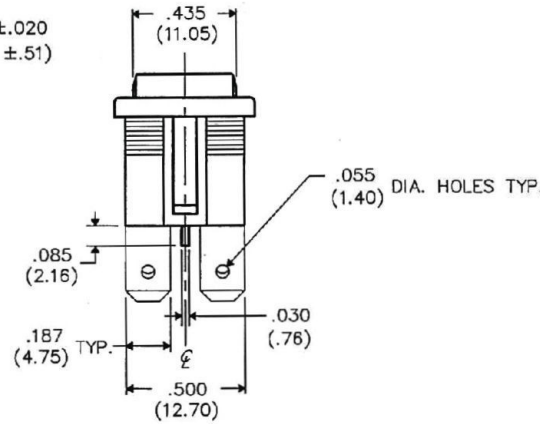
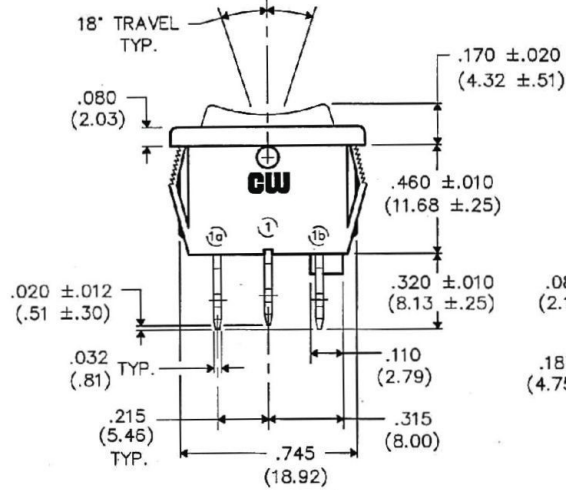
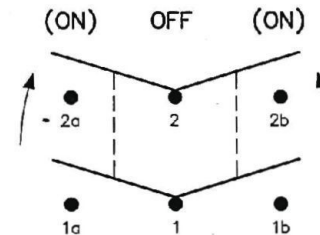
**MATERIAL:**

ROCKER KNOB- Nylon 6/6, Color - Black  
HOUSING- Nylon 6/6, Color - Black

**ELECTRICAL RATING-**

13A 125VAC 5A 14V T  
10A 250VAC 1/2 H.P. 125-250VAC

**LISTING AGENCIES-**



E  
D  
C  
B  
A

1 2 3 4 5 6 7 8 9 10

B-FORMAT 2002	0	1
	RELEASED: DGW 4-29-2014	ADDED CSA AND SWITCH FUNCTION TO DRAWING. DGW 6-25-14
JUN 25 2014		

**ATTENTION**  
THIS DRAWING AND ITS ATTACHMENTS, IF ANY, ARE PROPRIETARY TO CW INDUSTRIES AND DESCRIBE DESIGNS THAT ARE CONFIDENTIAL AND MUST NOT BE DISCLOSED UNLESS AUTHORIZED, IN WRITING, BY AN OFFICER OF CW INDUSTRIES.....



<b>CW INDUSTRIES</b> Southampton, Pa. 18966	
TOLERANCES UNLESS OTHERWISE SPECIFIED	METRIC
2 Place Decimal ±.010	1 Place Dec. ±.25mm
3 Place Decimal ±.005	2 Place Dec. ±.13mm
Angles ..... ±1°	
Made for: CW IND.	
Drawn by: DGW 4-29-2014	
Checked by: G. GULD 6-25-14	
Approval: C. Ham 4/25/14	

Title: <b>MINI ROCKER ASSEMBLY (POP IN) (MOM. ON)-OFF-(MOM. ON)</b>
Division: <b>SWITCH</b>
Dwg. No. <b>GRS-4023C-0009</b>