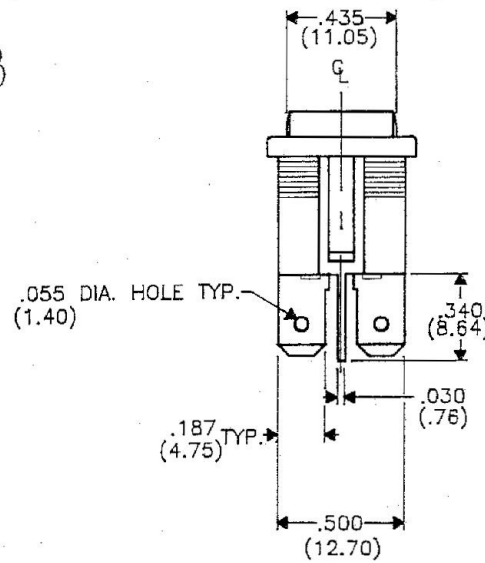
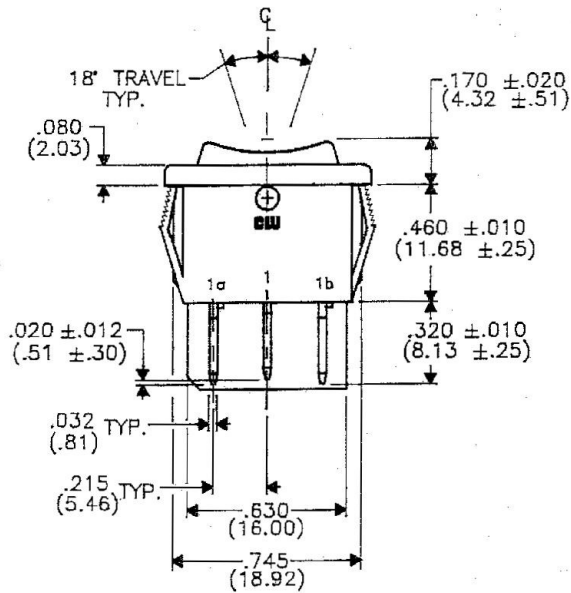
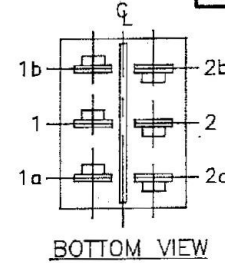
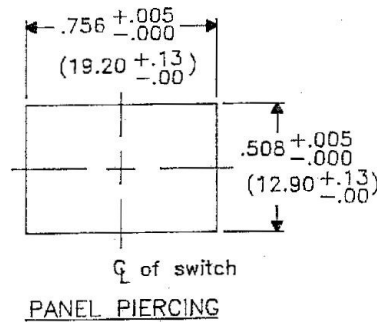
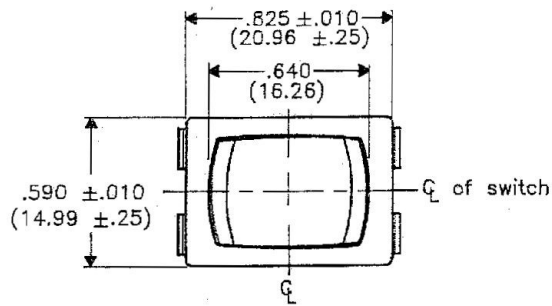


DIMENSIONS IN INCHES (MILLIMETERS)
DO NOT SCALE DRAWING...

Drawing No.
GRS-4023C-1300



B-FORM-0
REVISIONS
0
RELEASED
DW 10-01-93
DW 10-01-93
5-1093

ATTENTION
THIS DRAWING AND ITS ATTACHMENTS, IF ANY, ARE PROPRIETARY TO CW INDUSTRIES AND DESCRIBE DESIGNS THAT ARE CONFIDENTIAL AND MUST NOT BE DISCLOSED UNLESS AUTHORIZED, IN WRITING, BY AN OFFICER OF CW INDUSTRIES.....



CW INDUSTRIES
Southampton, Pa. 18966

TOLERANCES UNLESS OTHERWISE SPECIFIED
2 Place decimal ±.010 METRIC
3 Place decimal ±.005 1 Place dec. ±.25 MM
Angles ±.1° 2 Place dec. ±.15 MM

Made for CW IND.
Drawn by DW 10-01-93
Checked by G. GULD 10-4-93
Approval BRK 10-4-93

Title
MINI SWITCH ASSEMBLY CENTER-OFF (SNAP-IN)

Division
SWITCH
Drawing No.
GRS-4023C-1300