

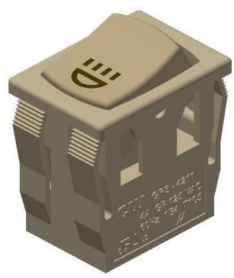
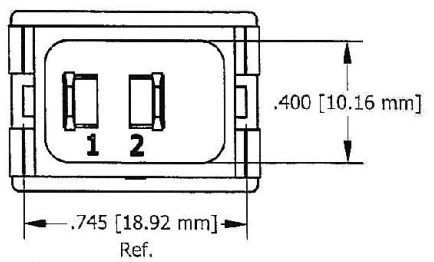
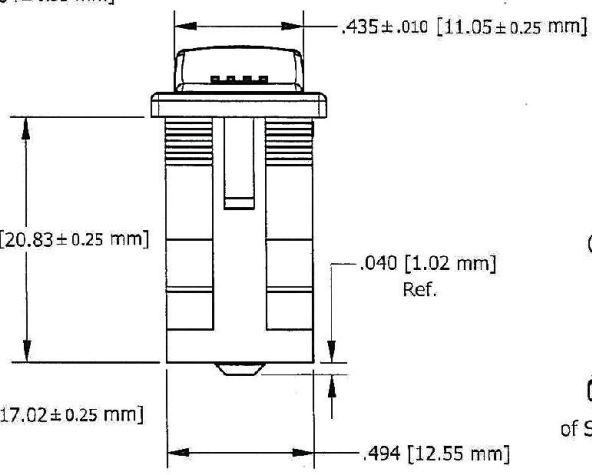
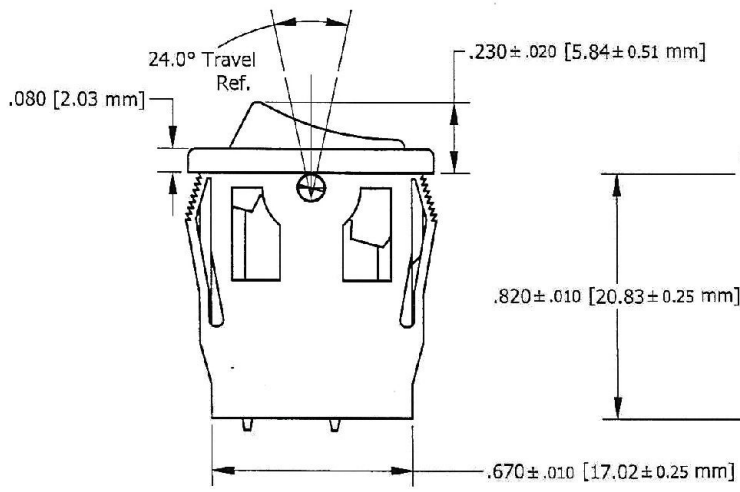
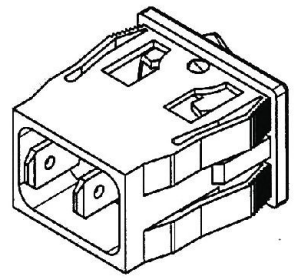
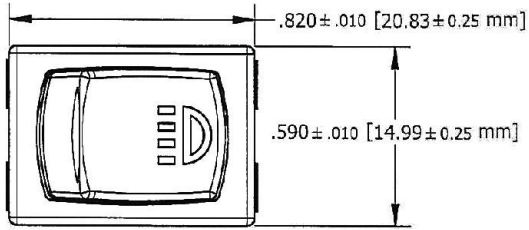
THIS INFORMATION IS CONFIDENTIAL AND PROPRIETARY TO CW INDUSTRIES INCORPORATED AND ITS AFFILIATES. IT MAY NOT BE DISCLOSED TO ANYONE, OTHER THAN CW INDUSTRIES PERSONNEL, WITHOUT WRITTEN AUTHORIZATION FROM CW INDUSTRIES INCORPORATED, SOUTHAMPTON, PENNSYLVANIA USA.

T
M
D
C
B
A

DIMENSIONS IN INCHES (MILLIMETERS)
 DO NOT SCALE DRAWING

Dwg. No. GRS-4211-0004 thru -0006

REVISIONS	DESCRIPTION	DATE
0	NEW.	Sep. 14.2017
1	Redrawn .820±.010 was .825±.010.	DGW 09-14-17 10/18/17

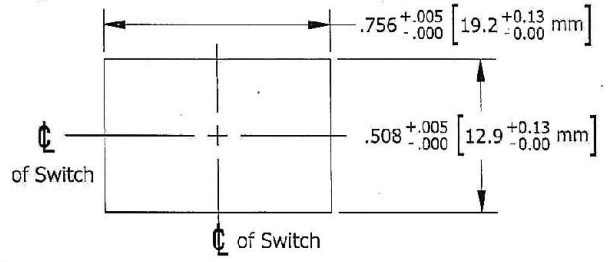


- NOTES:
- Switch is designed & manufactured to comply with UL 858 sponge wash test.
 - Terminal Tab - .032 thk. x .187 wide.
 - High Gloss Switch Bezel.
 - Lamp Icon - Molded.
 - Switch is shown in the "ON" position.
 - ELECTRICAL RATING:
4A GP 125 VAC
60Hz 1E4 T105



Part No.	Color
-0004	Black
-0005	White
-0006	Bisque

PANEL PIERCING
 (Panel Thickness - .037 min./ .140 max.)



CW INDUSTRIES
 Southampton, Pa. 18968

TOLERANCES UNLESS OTHERWISE SPECIFIED
 2 Place Decimal ± .010 METRIC
 3 Place Decimal ± .005 1 Place Dec. ± .25mm
 Angles ± 1' 2 Place Dec. ± .13mm

Title:
ROCKER SWITCH ASSEMBLY
 S.P.S.T.

Made for: CW IND.
 Drawn by: DGW 09-14-17
 Checked by: G. GOLD 10-18-17
 Approval: [Signature] 10/18/17

Division: SWITCH
 Dwg. No. GRS-4211-0004 thru -0006

1 2 3 4 5 6 7 8 9 10