

LK/RK Type

Type LK provides a 1.875" diameter switch over 75° terminals for 18 position, 20° throw switching. Type RK provides 20 position, 18° throw switching in the same size.

Specifications

Size
1.875" diameter nominal

Mounting
Shaft
.250 diameter (+000 -.003)

Stator Insulation
Glass epoxy or Phenolic

Rotor Insulation
Glass epoxy or Phenolic

Section Thickness
.062

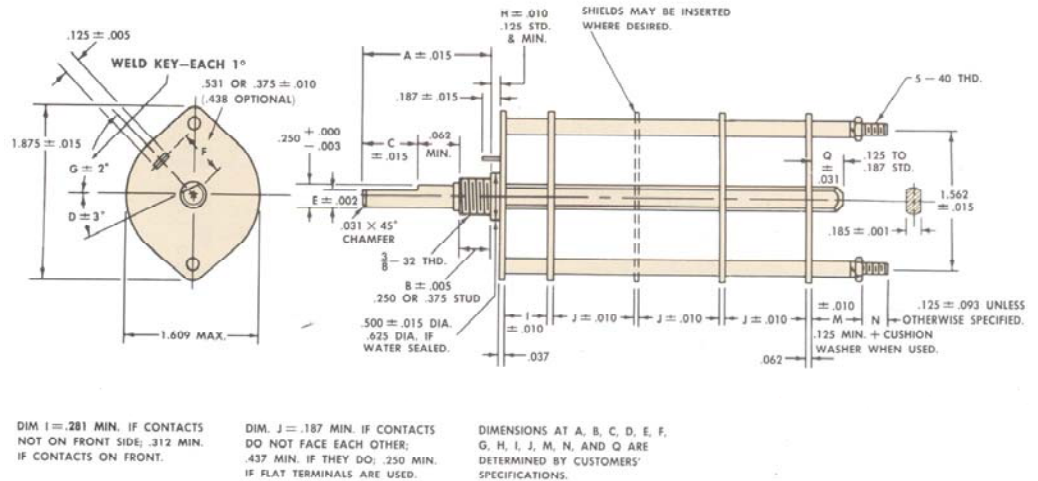
Contacts
Silver-plated brass or silver alloy.

Contact Resistance
.003 TO .015 ohms between adjacent clips

Electrical Rating
.5A @ 110 VAC
1.0A @ 28 VDC



LK/RK Type Drawing



LK/RK Type Switch Assemblies

MAXIMUM SWITCHING PER SECTION				
Poles	18° Throw (RK) (positions)	20° Throw (LK) (positions)	36° Throw (RK) (positions)	40° Throw (LK) (positions)
1	2 to 20	2 to 18	2 to 10	2 to 10
2	2 to 10	2 to 9	2 to 9	2 to 9
3	2 to 5	2 to 5	2 to 5	2 to 5
4	2 to 4	2 to 4	2 to 4	2 to 4
5	2 to 3	2 to 3	2 to 3	2 to 3
6	2	2	2	2

LK/RK Type Section

