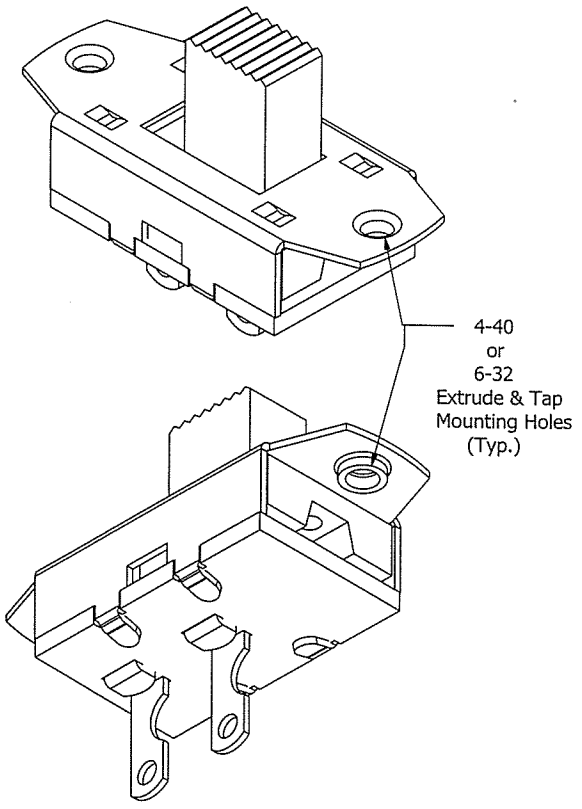


THIS INFORMATION IS CONFIDENTIAL AND PROPRIETARY TO CW INDUSTRIES INCORPORATED AND ITS AFFILIATES. IT MAY NOT BE DISCLOSED TO ANYONE OTHER THAN CW INDUSTRIES PERSONNEL. WITHOUT WRITTEN AUTHORIZATION FROM CW INDUSTRIES INCORPORATED, SOUTHAMPTON, PENNSYLVANIA USA.

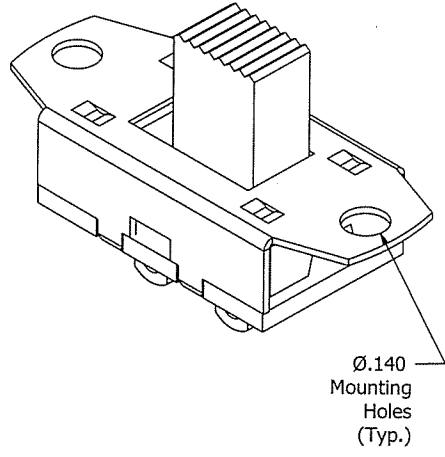
A
B
C
D
E
F
G

DIMENSIONS IN INCHES (MILLIMETERS) DO NOT SCALE DRAWING		Dwg. No.
REVISIONS	0	NEW. DGW 10-21-15

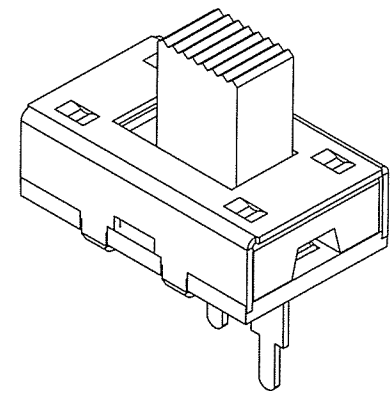
**Mounting Ears
with E/T Holes**



**Mounting Ears
with Ø.140" Holes**



**No
Mounting Ears**



CW INDUSTRIES Southampton, Pa. 18966		Title:
TOLERANCES UNLESS OTHERWISE SPECIFIED		MOUNTING OPTIONS
2 Place Decimal ± .010 3 Place Decimal ± .005 Angles ± 1'	METRIC 1 Place Dec. ± .25mm 2 Place Dec. ± .13mm	
Made for: CW IND.	Division:	SWITCH
Drawn by: DGW 10-21-15	Dwg. No.	
Checked by: <i>G. GULD 10-21-15</i>		
Approval: <i>G. GULD 10-21-15</i>		

1 2 3 4 5 6 7 8 9 10