

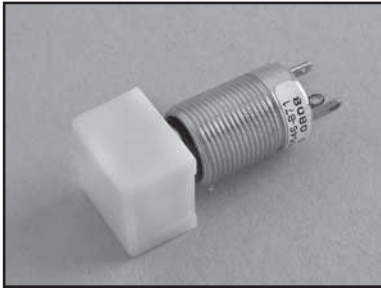
Optolite Indicators Press-to-Test

INDICATOR LIGHTS



Miniature, Optional Press-to-Test

59-52280 Type



Material and Finishes

Mounting tube and knurled nut, clear anodized per MIL-A-8625A. Mounting nut and key washer, brass, nickel plate. Lockwasher, stainless steel or steel, nickel plate, Brass terminals, tin plated per MIL-T-10727A.

Cap Assembly

Lens, high impact-resistant plastic per L-P-349. Friction fit lens caps, rotatable or keyed. Uses Presslite friction cap pushbuttons.

Lamp

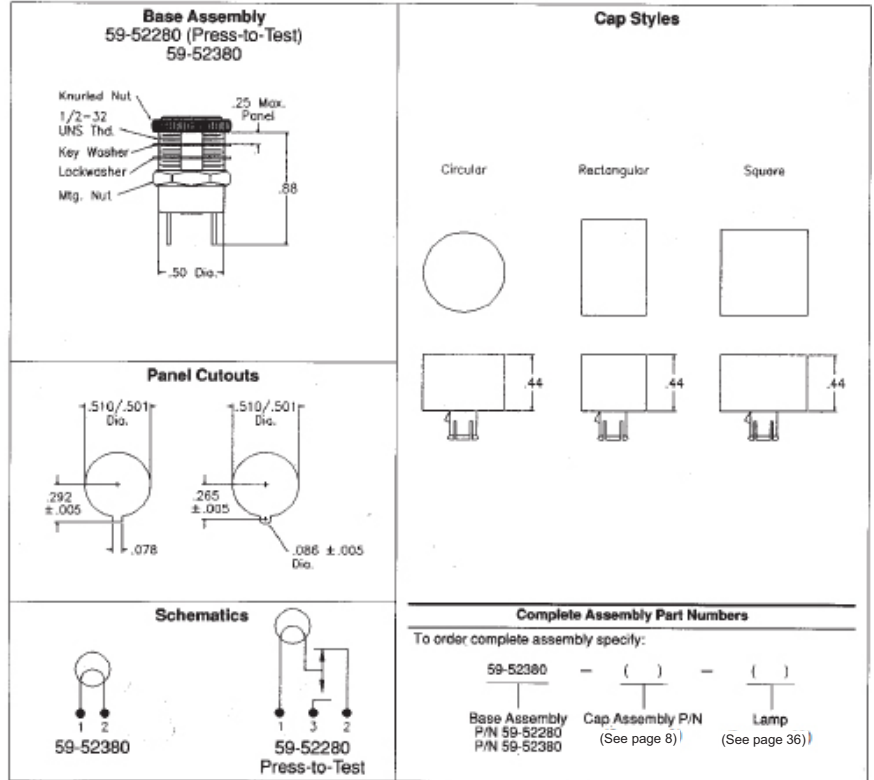
T-1 3/4 midget flange base.

Mounting

Assembly mounts from rear of panel. All mounting hardware supplied. Recommended mounting hole, see drawing.

Weight

Approximately .5 oz. less lamp.



Miniature, Press-to-Test

01-91180 Type



Material and Finishes

Mounting tube and nuts, aluminum, black anodized per MIL-A-8625A. Lockwasher, stainless steel. Brass terminals, tin plated per MIL-T-10727A.

Cap Assembly

Lens, high impact-resistant plastic per L-P-349, NVG Green, flat glass lens. Lens holders, aluminum, black anodized.

Lamp

T-1 3/4 midget flange base.

Mounting

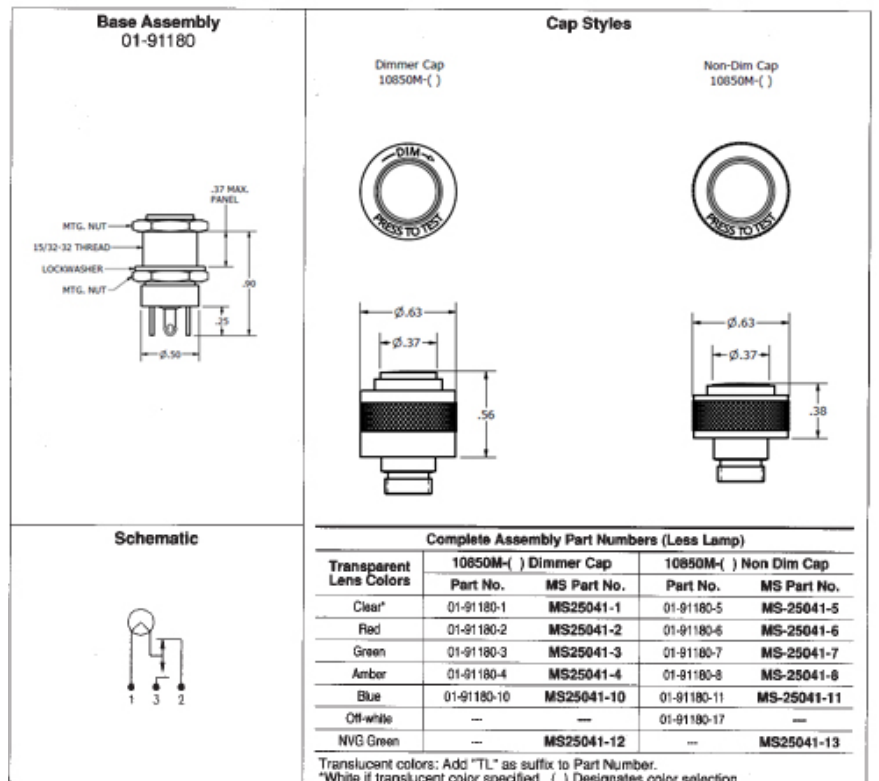
Assembly mounts from rear of panel. All mounting hardware supplied. Recommended mounting hole .500 in. ±.015 dia.

Identification

Identified with MS P/N and base assembly number.

Weight

Approximately .5 oz. less lamp.



Optolite Indicators Press-to-Test

INDICATOR LIGHTS



Standard Size Press-to-Test

02-91180 Type



Material and Finishes

Mounting tube and nuts, aluminum, black anodized per MIL-A-8625A. Lockwasher, stainless steel. Brass terminals, tin plated per MIL-T-10727A.

Cap Assembly

Lens is high impact-resistant plastic per L-P-349. Lens holders, aluminum, black anodized.

Lamp

T-3 1/4 miniature bayonet base.

Mounting

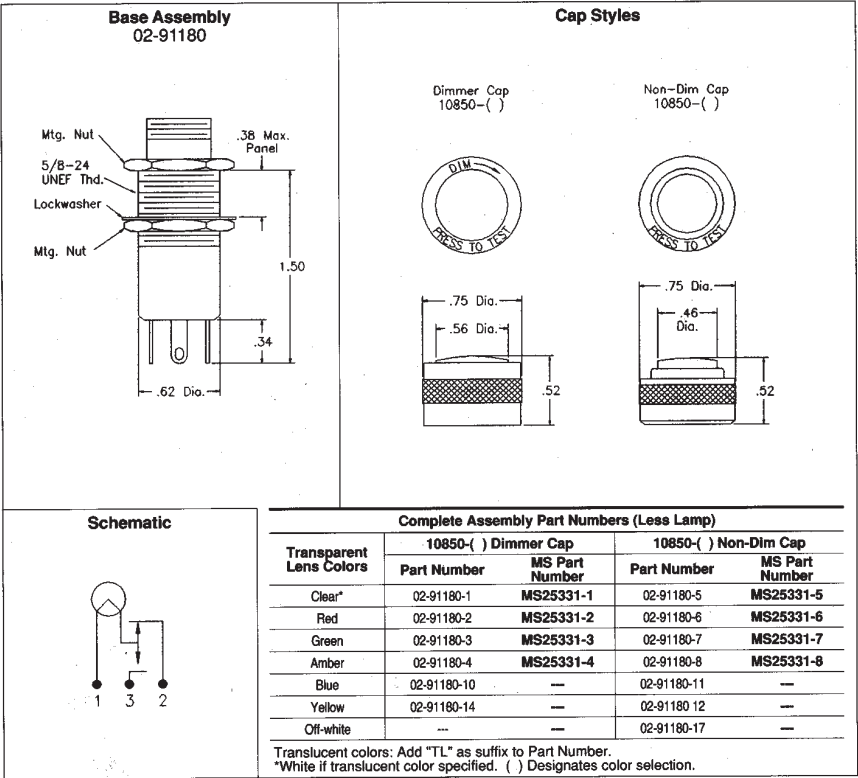
Assembly mounts from rear of panel. All mounting hardware supplied. Recommended mounting hole .640 in. ± .015 in. dia.

Identification

Identified with MS P/N and base assembly number

Weight

Approximately .8 oz. less lamp.



Miniature, Watertight, Press-to-Test

05-90880 Type



Material and Finishes

Mounting tube, black glass filled nylon per MIL-M-19887. Mounting nut aluminum, black anodized per MIL-A-8625A. Lockwasher, stainless steel or steel, nickel plate. Brass terminals, tin plated per MIL-T-10727A. Rubber boot and washer, silicone rubber.

Cap Assembly

Lens, high impact-resistant plastic per L-P-349. Lens holders are aluminum, black anodized.

Lamp

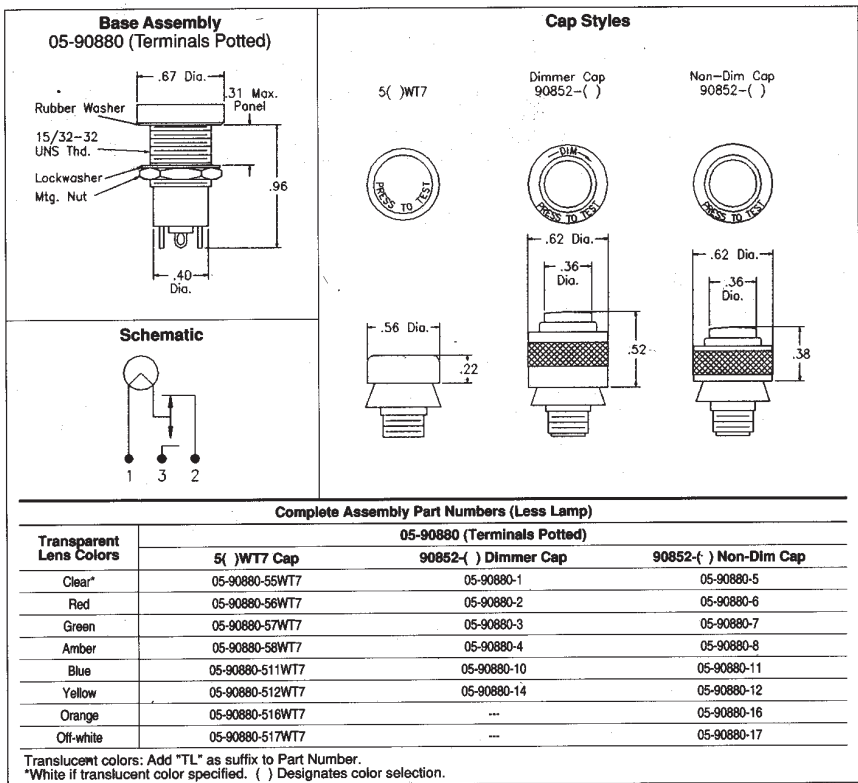
T-1 3/4 midget flange base.

Mounting

Assembly mounts from front of panel. All mounting hardware supplied. Recommended mounting hole .500 in. +/- .015 in. dia.

Weight

Approx. .3 oz. less lamp.



Optolite Indicators Press-to-Test

INDICATOR LIGHTS



Miniature, Watertight Press-to-Test

05-91182 Type



Material and Finishes

Mounting tube and nuts, aluminum, black anodized per MIL-A-8625A. Lockwasher, stainless steel or steel, nickel plate. Brass terminals, tin plated per MIL-T-10727A. Rubber boot and washer, silicone rubber.

Cap Assembly

Lens, high impact-resistant plastic per L-P-349. Lens holders are aluminum, black anodized.

Lamp

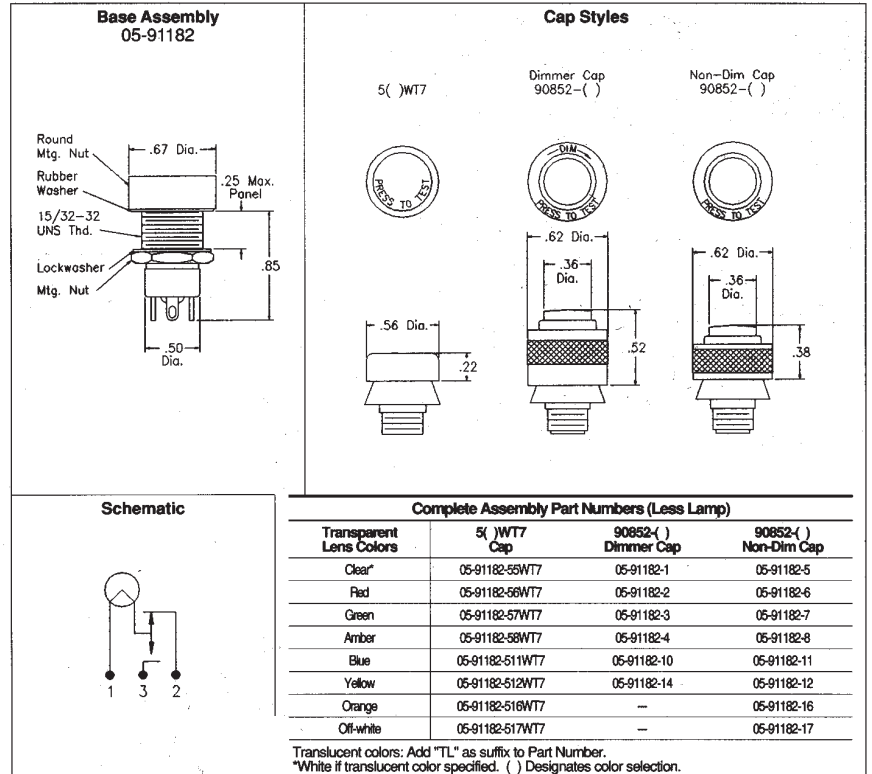
T-1 3/4 midget flange base.

Mounting

Assembly mounts from rear of panel. All mounting hardware supplied. Recommended mounting hole .500 in. ± .015 in. dia.

Weight

Approximately .44 oz. less lamp.



Watertight, Press-to-Test

06-91182 Type



Material and Finishes

Mounting tube and nuts, aluminum, black anodized per MIL-A-8625A. Lockwasher, stainless steel or steel, nickel plate. Brass terminals, tin plated per MIL-T-10727A. Rubber boot and washer, silicone rubber.

Cap Assembly

Lens, high impact-resistant plastic per L-P-349. Lens holders, aluminum, black anodized.

Lamp

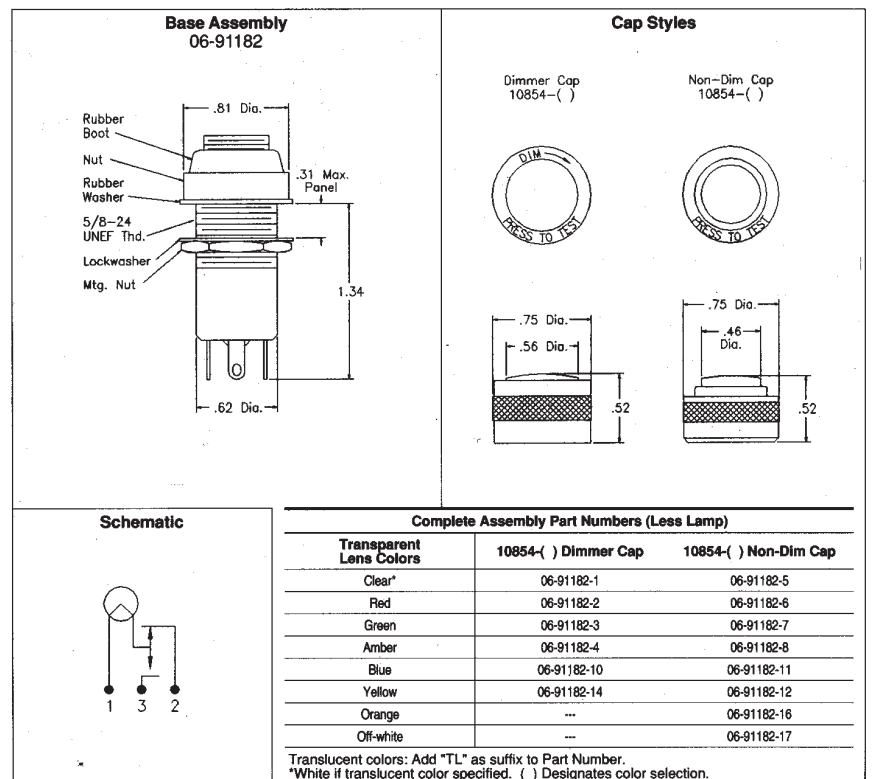
T-3 1/4 miniature bayonet base.

Mounting

Assembly mounts from rear of panel. All mounting hardware supplied. Recommended mounting hole .640 in. ± .015 in. dia.

Weight

Approximately .85 oz. less lamp.



Optolite Indicators Press-to-Test

INDICATOR LIGHTS



Miniature, Press-to-Test



Material and Finishes

Mounting tube, black glass filled nylon per MIL-M-19887.
Mounting nut aluminum, black anodized per MIL-A-8625A.
Lockwasher, stainless steel or steel, nickel plate. Brass terminals, tin plated per MIL-T-10727A.

Cap Assembly

Lens, high impact-resistant plastic per L-P-349. Lens holders are aluminum, black anodized.

Lamp

T-1 3/4 midget flange base.

Mounting

Assembly mounts from front of panel. All mounting hardware supplied. Recommended mounting hole .500 in. +/- .015 in. dia.

Weight

Approx. .9 oz. less lamp.

BASE ASSEMBLY 03-90980

CAP STYLES

DIMMER CAP

10850M-()

NON-DIM CAP

10850M-()

5()P3 CAP

5()P5 CAP

()P8 CAP

Complete Assembly Part Numbers (Less Lamp)

Transparent Lens Colors	10850M-() Dimmer Cap	10850M-() Non-Dim Cap	5()P3 Cap	5()P5 Cap	()P8 Cap
Clear:	03-90980-1	03-90980-5	03-90980-55P3	03-90980-55P5	03-90980-55P8
Red	03-90980-2	03-90980-6	03-90980-56P3	03-90980-56P5	03-90980-56P8
Green	03-90980-3	03-90980-7	03-90980-57P3	03-90980-57P5	03-90980-57P8
Amber	03-90980-4	03-90980-8	03-90980-58P3	03-90980-58P5	03-90980-58P8
Blue	03-90980-10	03-90980-11	03-90980-511P3	03-90980-511P5	03-90980-511P8
Yellow	03-90980-14	03-90980-12	03-90980-512P3	03-90980-512P5	03-90980-512P8
Orange		03-90980-16	03-90980-516P3	03-90980-516P5	03-90980-516P8
Lunar		03-90980-17	03-90980-517P3	03-90980-517P5	03-90980-517P8

SCHEMATIC

Translucent colors: Add "TL" as suffix to Part No.
 *Write if translucent color specified.
 () Designates color selection.

General Purpose, Press-to-Test



Material and Finishes

Mounting tube, aluminum, black anodized per MIL-A-8625A.
Mounting nut, steel cad plate per QQ-P-416. Lockwasher, stainless steel or steel, nickel plate. Brass terminals, tin plated per MIL-T-10727A.

Cap Assembly

Lens, high impact-resistant plastic per L-P-349. Standard colors are semi-diffusing.

Lamp

T-3 1/4 miniature bayonet base.

Mounting

Assembly mounts from front of panel. All mounting hardware supplied. Recommended mounting hole .640 in. +/- .015 in. dia.

Weight

Approx. .55 oz. less lamp.

BASE ASSEMBLY 04-91180S

CAP STYLES

SUNLIGHT CAPS

90550-()

SUNLIGHT CAP UNFROSTED

90650-() CAP

Complete Assembly Part Number (Less Lamp)

Semi-Diffusing Lens Colors	90550-() Sunlight Cap	90550-5() Sunlight Cap	90650-() Cap	90650-5() Sunlight Cap
Lunar	04-VM905-5	04-VM905-55	04-VM906-5	04-VM906-55
Red	04-VM905-6	04-VM905-56	04-VM906-6	04-VM906-56
Green	04-VM905-7	04-VM905-57	04-VM906-7	04-VM906-57
Amber	04-VM905-8	04-VM905-58	04-VM906-8	04-VM906-58
Blue	04-VM905-11	04-VM905-511	04-VM906-11	04-VM906-511

SCHEMATIC

() Designates color selection.

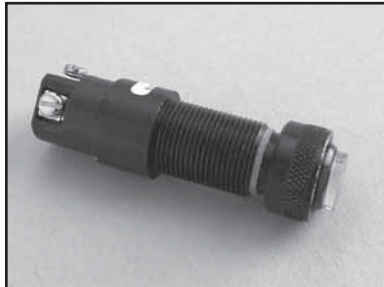
Optolite Indicators Press-to-Test

INDICATOR LIGHTS



Miniature, Press-to-Test

03-93480 Type
03-93481 Type



Materials and Finishes

Mounting tube and nuts are aluminum, black anodized per MIL-A-8625A. Lockwasher, stainless steel or steel, nickel plated. Terminals are 4-40 screws, nickel plate QQ-N-290.

Cap Assembly

Lens is high impact-resistant plastic per L-P-349.

Lamp

T-1 3/4 midget flange base. Standard colors are transparent. Also available in translucent or diffusing caps.

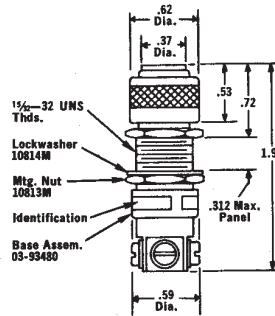
Mounting

Assembly mounts from rear of panel. All mounting hardware supplied. Recommended mounting hole .500 ± .015 diameter.

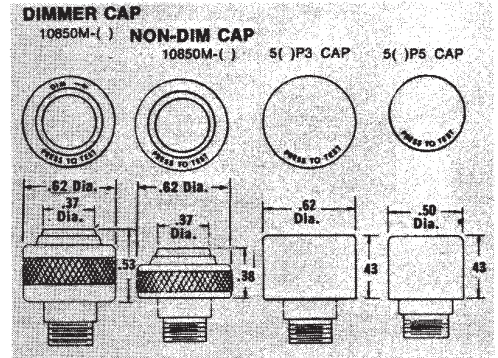
Weight

Approximately .50 oz. less lamp.

BASE ASSEMBLY 03-93480



CAP STYLES



Complete Assembly Part Numbers (Less Lamp)

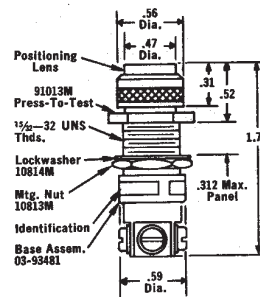
Transparent Lens Colors	10850M - () Dimmer Cap	10850M - () Non-Dim Cap	5 () P3 Cap	5 () P5 Cap
Clear*	03-93480-1	03-93480-5	03-93480-55P3	03-93480-55P5
Red	03-93480-2	03-93480-6	03-93480-56P3	03-93480-56P5
Green	03-93480-3	03-93480-7	03-93480-57P3	03-93480-57P5
Amber	03-93480-4	03-93480-8	03-93480-58P3	03-93480-58P5
Blue	03-93480-11	03-93480-11	03-93480-511P3	03-93480-511P5
Yellow	03-93480-14	03-93480-12	03-93480-512P3	03-93480-512P5
Lunar		03-93480-17	03-93480-517P3	03-93480-517P5

Translucent colors: Add "TL" as suffix to part no.
* White if translucent color specified.
() Designates color selection.

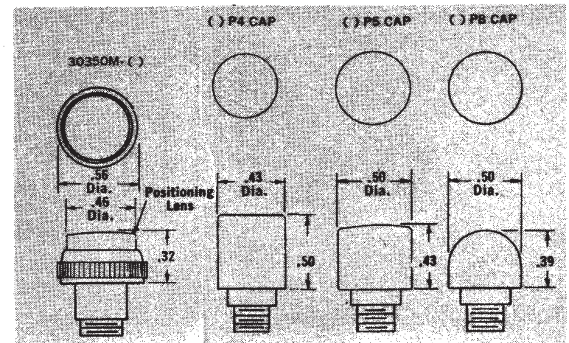
SCHEMATICS



BASE ASSEMBLY 03-93481



CAP STYLES



Complete Assembly Part Numbers (Less Lamp)

Transparent Lens Colors	30350 - () Cap	() P8 Cap	() P4 Cap	() P5 Cap
Clear*	03-93481-5	03-93481-5P8	03-93481-5P4	03-93481-5P5
Red	03-93481-6	03-93481-6P8	03-93481-6P4	03-93481-6P5
Green	03-93481-7	03-93481-7P8	03-93481-7P4	03-93481-7P5
Amber	03-93481-8	03-93481-8P8	03-93481-8P4	03-93481-8P5
Blue	03-93481-11	03-93481-11P8	03-93481-11P4	03-93481-11P5
Yellow	03-93481-12	03-93481-12P8	03-93481-12P4	03-93481-12P5
Lunar	03-93481-17	03-93481-17P8	03-93481-17P4	03-93481-17P5

Translucent Colors: Add "TL" as suffix to Part No.
* White if translucent color specified.
() Designates color selection.

SCHEMATIC



Optolite Indicators Press-to-Test

INDICATOR LIGHTS



Miniature, Press-to-Test

03-91080 Type



Material and Finishes

Mounting tube and nuts, aluminum, black anodized per MIL-A-8625A. Lockwasher, stainless steel. Brass terminals, tin plated per MIL-T-10727A.

Cap Assembly

Lens, high impact-resistant plastic per L-P-349.

Lamp

T-1 3/4 midget flange base. See Lamp Selection Guide.

Mounting

Assembly mounts from rear of panel. All mounting hardware supplied. Recommended mounting hole .500 in. ±015 in. dia.

Weight

Approximately .4 oz. less lamp.

Base Assembly 03-91080

Mtg. Nut (Press-to-Test)
15/32-32 UNS Thd.
Lockwasher
Mtg. Nut

Cap Styles

() P4 Cap () P5 Cap

Schematic

Transparent Lens Colors	Complete Assembly Part Numbers (Less Lamp)	
	() P4 Cap	() P5 Cap
Clear*	03-91080-5P4	03-91080-5P5
Red	03-91080-6P4	03-91080-6P5
Green	03-91080-7P4	03-91080-7P5
Amber	03-91080-8P4	03-91080-8P5
Blue	03-91080-11P4	03-91080-11P5
Yellow	03-91080-12P4	03-91080-12P5
Orange	03-91080-16P4	03-91080-16P5
Off-white	03-91080-17P4	03-91080-17P5

Translucent colors: Add "TL" as suffix to Part Number.
*White if translucent color specified. () Designates color selection.

Cap Styles

Sunlight Cap
91050M-()

.56 Dia.
.46 Dia.
.33

91050-5()

.56 Dia.
.46 Dia.
.33

Sunlight Cap
10852M-()LB

.50 Dia.
.43 Dia.

10852-()L

.50 Dia.
.43 Dia.

Transparent Lens Colors	Complete Assembly Part Numbers (Less Lamp)			
	91050M-() Sunlight Cap	91050M-5() Cap	10852M-()LB Sunlight Cap	10852M-()L Cap
Clear*	03-91080-5	03-91080-55	03-91080-5LB	03-91080-5L
Red	03-91080-6	03-91080-56	03-91080-6LB	03-91080-6L
Green	03-91080-7	03-91080-57	03-91080-7LB	03-91080-7L
Amber	03-91080-8	03-91080-58	03-91080-8LB	03-91080-8L
Blue	03-91080-11	03-91080-511	03-91080-11LB	03-91080-11L
Yellow	03-91080-12	03-91080-512	03-91080-12LB	03-91080-12L
Off-white	03-91080-17	03-91080-517	03-91080-17LB	03-91080-17L

Translucent colors: Add "TL" as suffix to Part Number, not recommended for sunlight caps.
Frosted lens: For 10852M caps only--Add "EF" (externally frosted) or "IF" (internally frosted) as suffix to Part Number.
*White if translucent color specified. () Designates color selection.

Optolite Indicators

Press-to-Test

INDICATOR LIGHTS



Miniature, E.M.I. Supressed Watertight, Press-to-Test

08-83283 Type



Material and Finishes

Round mounting nut, aluminum, black anodized per MIL-A-8625A. Mounting tube and mounting nut, bright nickel plated per QQ-N-290. Lockwasher, steel, nickel plated. Rubber boot and washer, silicone rubber Brass terminals, gold plated per MIL-G-45204.

Cap Assembly

Lens, high impact-resistant plastic per L-P-349. Lens holders, aluminum, black anodized.

Lamp

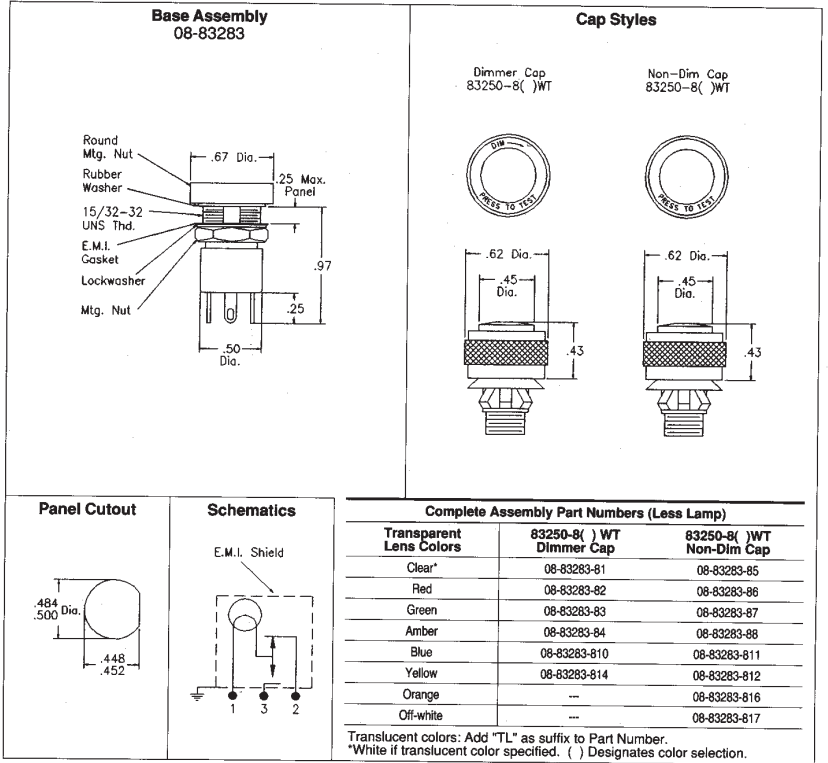
T-1 3/4 midget flange base.

Mounting

Assembly mounts from rear of panel. All mounting hardware supplied. Flat on mounting tube provides for keyed installation.

Weight

Approximately .6 oz. less lamp.



Miniature, E.M.I. Supressed Watertight, Press-to-Test

08-83281 Type



Material and Finishes

Lens holder and front mounting nut is black anodized per MIL-A-8625A. Mounting tube & rear Mtg. nut, is bright nickel plated per QQ-N-200. Lockwasher is stainless steel. Terminals brass, gold plated per MIL-G-45204.

Cap Assembly

Lens is high impact-resistant plastic per L-P-349. Lens holders are aluminum, black anodized.

Lamp

T-1 3/4 midget flange base.

Mounting

Assembly mounts from rear of panel. All mounting hardware supplied. Flat on Mtg. tube provides for keyed installation.

Weight

Approx. .5 oz less lamp.

