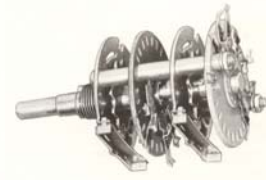
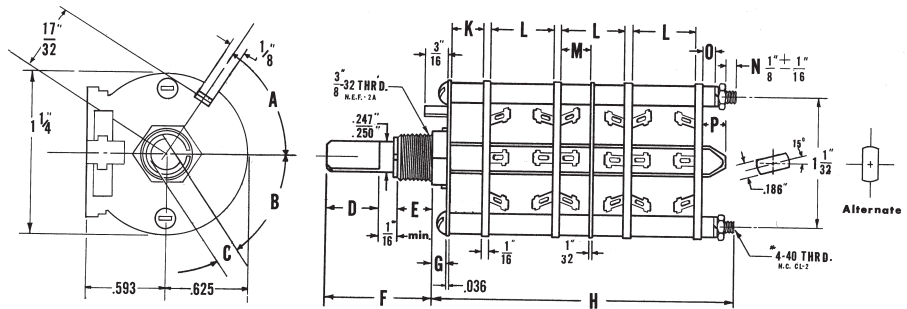


## SK Type

SK type is a miniature switch designed for multi-circuit application where space is limited. The actual chassis mounting area is only 1-9/32" in diameter and the maximum distance across its 60° contacts is but 1-5/16" in diameter. It is constructed by means of the strut screw and spacer method making possible the use of any number of wafers per switch section. Contact locations are of the standard radial type and the stators provide for contacts on either the front or insulated side.



## SK Type Drawing



- A. Angle of locating Key 0°, 45°, 315°.
- B. Flat angle Per Customer Specification. Tolerance ± 2°.
- C. Thickness of Flat Per Customer Specification Tolerance ± .002°.
- D. Flat Length - Any, as Required. Tolerance ± 1/64".
- E. Bushing Thread Length - Any, as Required. Standard 1/4" or 3/8".
- F. Shaft Length From Mounting Surface. Any, As Required. Tolerance ± 1/32".
- G. Bushing Shoulder - Any, as Required. Standard 1/8". Tolerance ± .005".
- H. Maximum Overall Length Behind Mounting Surface. Per Customer Specification. Indicate if Important.
- I. Detent Spacer - Minimum 1/4" if No Contacts Are Used On Front Side of Section. Minimum 3/8" With Contacts On Front Side of Section. Tolerance ± 1/64".
- J. Spacers - Minimum 7/16" with Bent Contacts Opposed. Minimum 3/16" with No Contacts Opposed. Minimum 1/4" with Flat Contacts Opposed.
- K. Detent Spacer - Minimum 1/4" if No Contacts Are Used On Front Side of Section. Minimum 3/8" With Contacts On Front Side of Section. Tolerance ± 1/64".
- L. Spacers - Minimum 7/16" with Bent Contacts Opposed. Minimum 3/16" with No Contacts Opposed. Minimum 1/4" with Flat Contacts Opposed.
- M. Spacer Between Electro-Static Shield and Section Minimum 1/8". Tolerance ± 1/64". Shields May Be Located Where Desired.
- N. Strut Screw Extension 1/8" ± 1/16" unless otherwise specified.
- O. Spacer Required on Rear of Section. Minimum 3/32". Standard 1/8".
- P. Shaft Extension - Any, as Required. Normally 1/8".

## Specifications

### Size

1.281" diameter nominal

### Mounting

.250 diameter (+000 -.003)

### Shaft

Glass epoxy or Phenolic

### Stator Insulation

Glass epoxy or Phenolic

### Rotor Insulation

Glass epoxy or Phenolic

### Section Thickness

.062

### Contacts

Silver-plated brass or silver alloy.

### Contact Resistance

.002 ohms between adjacent clips

### Electrical Rating

.230A @ 115 VAC

1.5A @ 28 VDC

### Contact Staking

Solder-lug clips are secured to

the stator using Electroswitch's

patented "T" slugs

### Terminal Type Construction

"T" slug or Wedgelock

construction

## SK Type Switch Assemblies

### MAXIMUM SWITCHING PER SECTION

Poles	30° Index 12 Position	36° Index 10 Position	45° Index 8 Position	60° Index 6 Position	90° Index 4 Position
1	2 to 12 Pos.	2 to 10 Pos.	2 to 8 Pos.	2 to 6 Pos.	2 to 4 Pos.
2	2 to 9 Pos.	2 to 7 Pos.	2 to 7 Pos.	2 to 6 Pos.	2 to 4 Pos.
3	2 to 5 Pos.	2 to 4 Pos.	2 to 3 Pos.	2 to 3 Pos.	2 Pos.
4	2 to 4 Pos.	2 to 3 Pos.	2 to 3 Pos.	2 to 3 Pos.	2 Pos.
5	2 to 3 Pos.	2 Pos.	2 Pos.	2 Pos.	
6	2 Pos.			2 Pos.	

## SK Type Section

