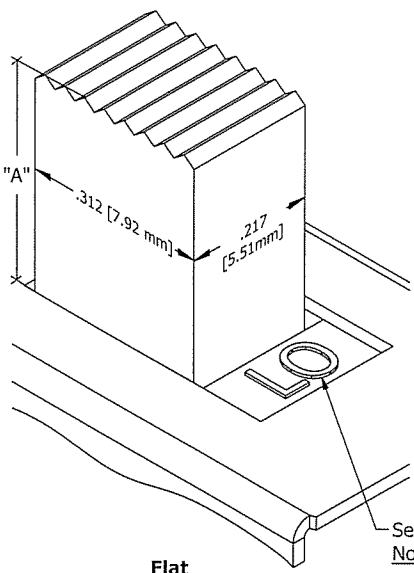


THIS INFORMATION IS CONFIDENTIAL AND PROPRIETARY TO CW INDUSTRIES INCORPORATED AND ITS AFFILIATES. IT MAY NOT BE DISCLOSED TO ANYONE, OTHER THAN CW INDUSTRIES PERSONNEL, WITHOUT WRITTEN AUTHORIZATION FROM CW INDUSTRIES INCORPORATED, SOUTHAMPTON, PENNSYLVANIA USA.

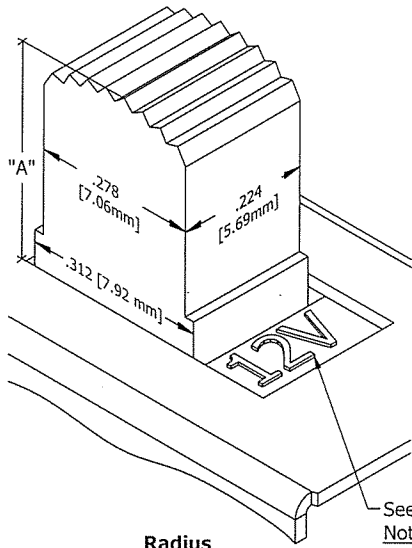
DIMENSIONS IN INCHES (MILLIMETERS)  
DO NOT SCALE DRAWING .....

Dwg. No. <b>G-02 OPTIONS</b>	
REVISIONS	1 Revised & Updated. DGW 02-11-16



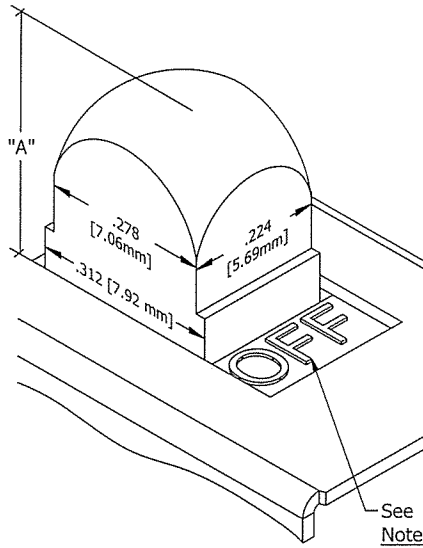
**Flat Knurl Actuator**

"A"
.344" (8.74mm)
.188" (4.78mm)
.406" (10.31mm)
.500" (12.70mm)
.625" (15.88mm)
.750" (19.05mm)



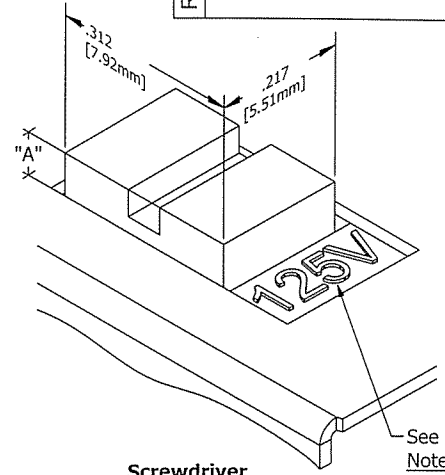
**Radius Knurl Actuator**

"A"
.344" (8.74mm)
.188" (4.78mm)
.406" (10.31mm)
.500" (12.70mm)
.625" (15.88mm)
.750" (19.05mm)



**Radius Actuator**

"A"
.280" (7.11mm)



**Screwdriver Slot Actuator**

"A"
.031" (.79mm)
.125" (3.18mm)
.220" (5.59mm)

**NOTES:**

- 1) Available button height shown is dimension "A". Custom height's are available. Consult factory.
- 2) Legends and locations of legends are optional. Consult factory.

**CW INDUSTRIES**  
Southampton, Pa. 18966

TOLERANCES UNLESS OTHERWISE SPECIFIED	
2 Place Decimal ± .010	METRIC
3 Place Decimal ± .005	1 Place Dec. ± .25mm
Angles ..... ± 1'	2 Place Dec. ± .13mm

Made for: CW IND.  
Drawn by: DGW 10-05-15

Checked by: *G. Gold 2-12-16*  
Approval: *C. Hamer 2/14/16*

Title: **STANDARD SLIDE SWITCH ACTUATOR OPTIONS**

Division: \_\_\_\_\_

Dwg. No. **G-02 OPTIONS**